



Receiver Protecting Unit SAILOR H1223

Anvendes til beskyttelse mod afbrænding af antenneindgangen på duplex modtagere og modtagere, der ikke mutes, f.eks. SAILOR R1119, R1120, R1121, R2022 og R501.

Det anbefales at benytte SAILOR H1223 i alle ovennævnte installationer.

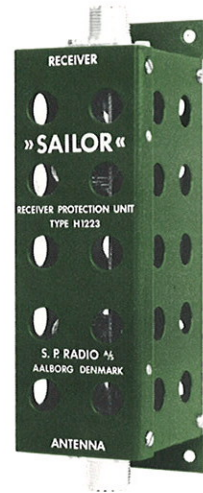
To be used as protection against burning of aerial entrance on duplex receivers and receivers which are not to be muted, e.g. SAILOR, R1119, R1120, R1121, R2022, R501.

We recommend the use of SAILOR H1223 in connection with all the above-mentioned installations.

Frequency Range: DC - 30 MHz.
Input impedance: 50 ohm.
SWR: 1.8.
Height: 66 mm.
Width: 50 mm.
Depth: 173 mm.
Connection: PL259 coaxial-stik.



RECEIVER PROTECTING UNIT



GENERAL DESCRIPTION

The growing need of communication from the ships is steady increasing the number of antenna installations. The possibility of placing all these antennas so they do not interfere with each other is very limited. In practice it is often necessary to carry out an extra protection of the input circuit of the receiver besides what is required from the authorities for approval.

SAILOR H1223 protects the receiver front end against power from near by transmitter antenna.

SAILOR H1223 also protects the receiver front end against static sparks and secondary lightning effects.

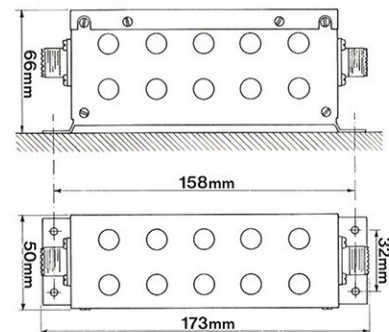
SAILOR H1223 is specially designed to protect SAILOR RECEIVERS R1117 - R1119 and R1120 but can of course be used in connection with other receivers.

SAILOR H1223 ensures no degradation in the receivers large signal performance. The PROTECTING UNIT includes no diodes.

TECHNICAL DATA

Input impedance: 50 ohm
 SWR: 1,8
 Frequency range: DC - 30 MHz
 Insertion loss: 2,8 dB

INSTALLATION



PARTS LIST

L101	Lamp	12V 5W BA155	Philips	12821
L102	Lamp	12V 5W BA155	Philips	12821
L103	Lamp	12V 5W BA155	Philips	12821
L104	Lamp	24V 5W BA155	Philips	13814
L105	Lamp	24V 5W BA155	Philips	13814
L106	Lamp	24V 5W BA155	Philips	13814
GL101	Glowlamp	150V	Siemens	A71-A150-Q69-X241
GL102	Glowlamp	90V	Siemens	A71-A90-Q69-X248
GL103	Glowlamp	90V	Siemens	A71-A90 Q69-X248
C101	Mica Capacitor	82 pF 10% 500V	Jahre	49.54/5
C102	Mica Capacitor	51 pF 10% 500V	Jahre	49.54/5

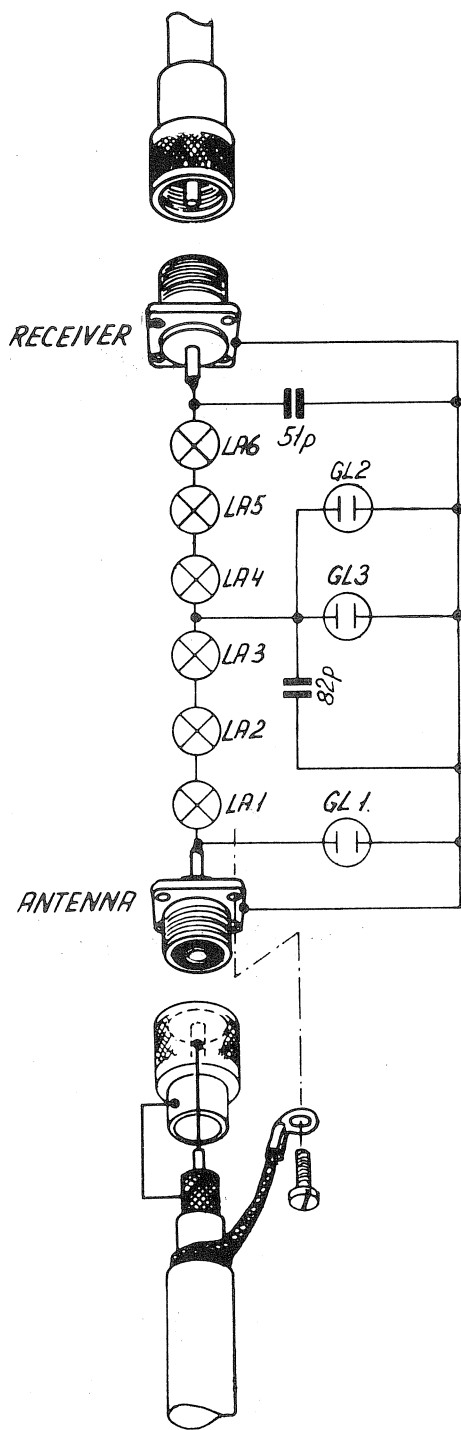


S. P. RADIO A/S Porsvej 2 . DK-9200 Aalborg SV . Denmark

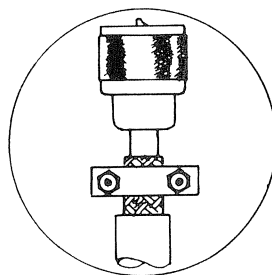
DEALER:

»SAILOR« RECEIVER PROTECTOR TYPE H1223

S. P. RADIO A/S AALBORG DENMARK



Receiver coaxial cable.
 If 50 ohm coaxial cable RG213U is used,
 the cable has to run in steel tube
 (conduit). If 50 ohm triaxial cable H1213
 (S.P. Radio) is used, outer screen has
 to be earthed at console end only.



- LA1-3: 12V 5W Philips 12821
- LA4-6: 24V 10W Philips 13814
- GL1: Glow lamp. 150V Siemens A70-A150-Q69-X245
- GL2: Glow lamp. 90V Siemens A70-C90-Q69-X247
- GL3: Glow lamp. 90V Siemens A70-C90-Q69-X247
- Glow capacitor 51 pF 10% 500V Jahre 49.54/5
- Glow capacitor 82 pF 10% 500V Jahre 49.54/5