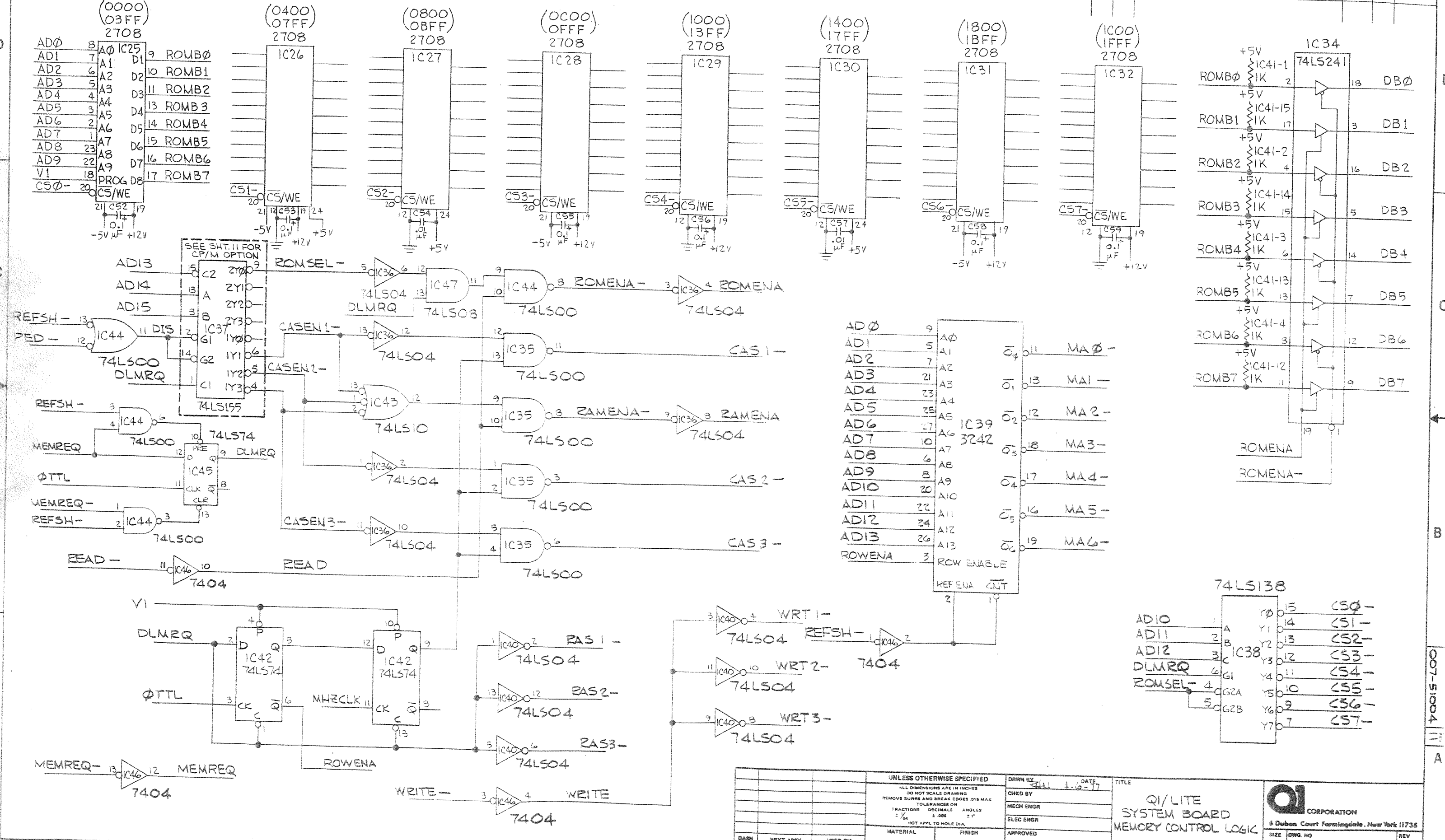
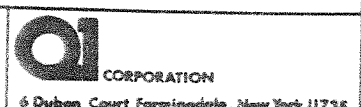


THIS DRAWING AND SPECIFICATIONS HEREIN ARE THE PROPERTY OF QI CORPORATION AND SHALL NOT BE REPRODUCED OR COPIED OR USED IN WHOLE OR IN PART AS THE BASIS FOR THE MANUFACTURE OR SALE OF ITEMS WITHOUT WRITTEN PERMISSION.

| REVISIONS | | | | | |
|-----------|------|--------------|------|----|----------|
| LTR | ZONE | DESCRIPTION | DATE | BY | APPROVED |
| - | - | SEE SHT. - 1 | | | |



| UNLESS OTHERWISE SPECIFIED | | DRWN BY | DATE | TITLE |
|---|-----------|---------|----------|---|
| ALL DIMENSIONS ARE IN INCHES DO NOT SCALE DRAWING REMOVE BURRS AND BREAK EDGES .015 MAX TOLERANCES ON FRACTIONS DECIMALS ANGLES ± 1/4 ± .008 ± 1° NOT APPL TO HOLE DIA. | | STAL | 1-10-77 | QI/LITE SYSTEM BOARD MEMORY CONTROL LOGIC |
| DASH | NEXT ASSY | USED ON | APPROVED | RELEASE |
| | | | | |

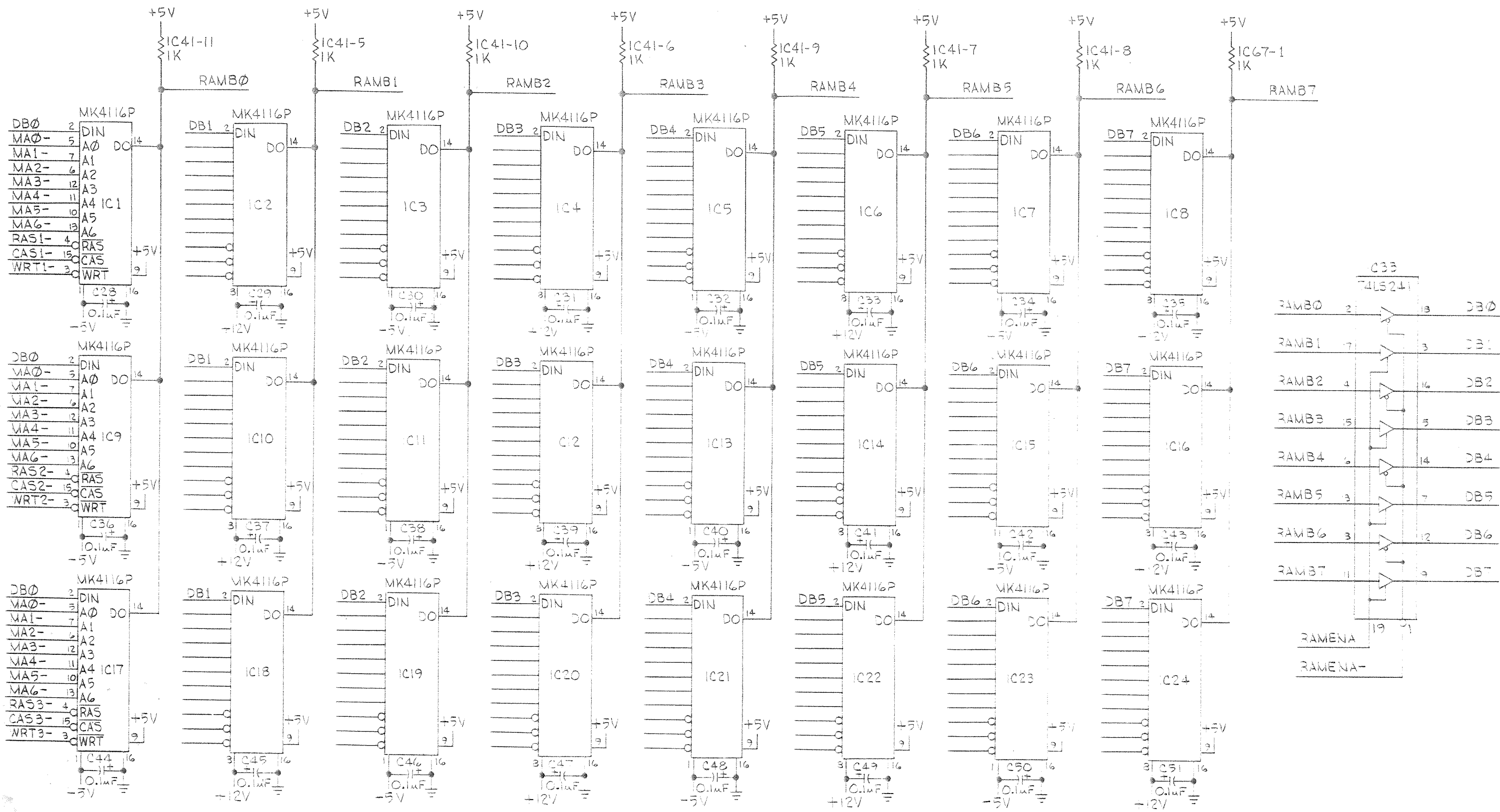


SIZE DWG. NO. 007-51004
REV. -

007-51004 11 A

THIS DRAWING AND SPECIFICATIONS HEREIN ARE THE PROPERTY OF QI CORPORATION AND SHALL NOT BE REPRODUCED OR COPIED OR USED IN WHOLE OR IN PART AS THE BASIS FOR THE MANUFACTURE OR SALE OF ITEMS WITHOUT WRITTEN PERMISSION.

| REVISIONS | | | | |
|-----------|------|--------------|------|----------|
| LTR | ZONE | DESCRIPTION | DATE | APPROVED |
| | | SEE SHT. - 1 | | |

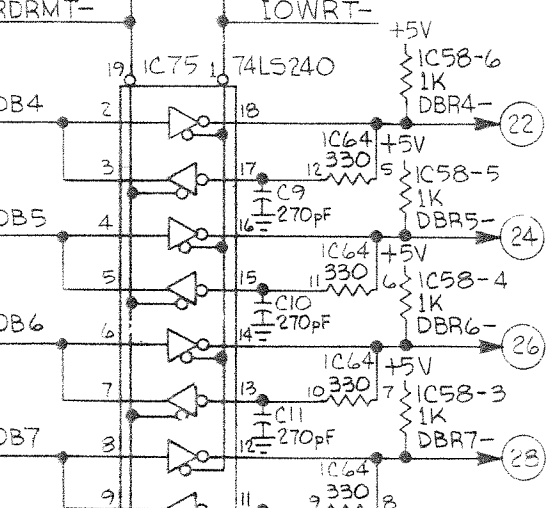
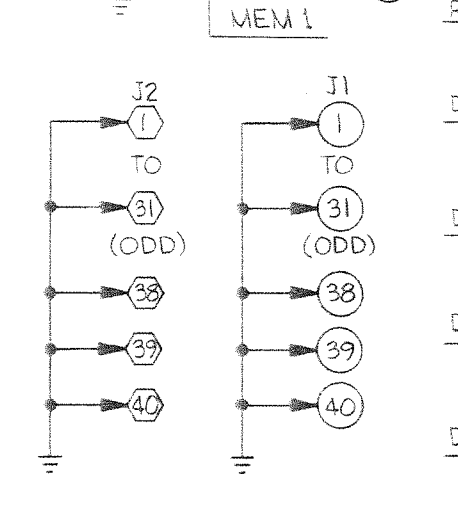
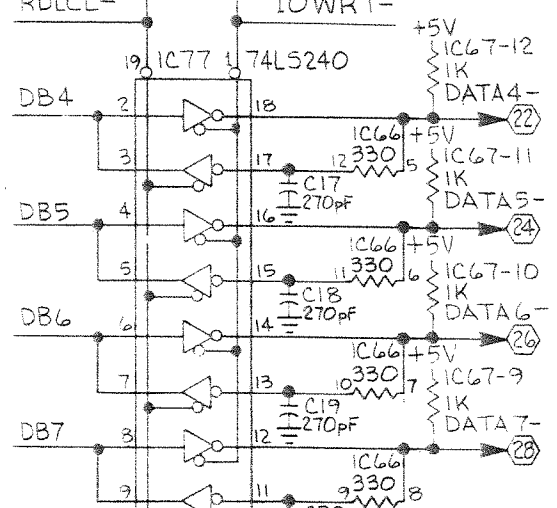
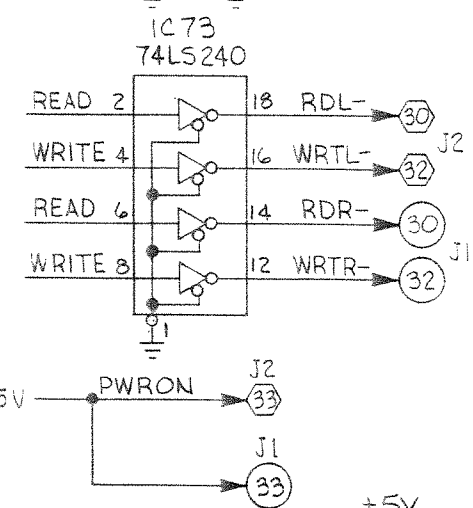
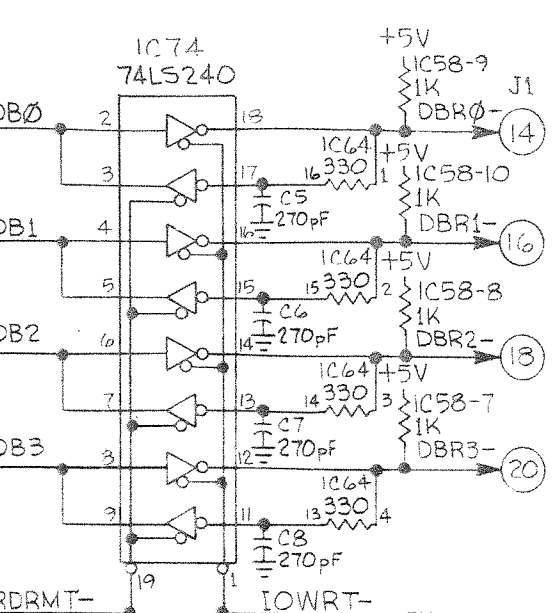
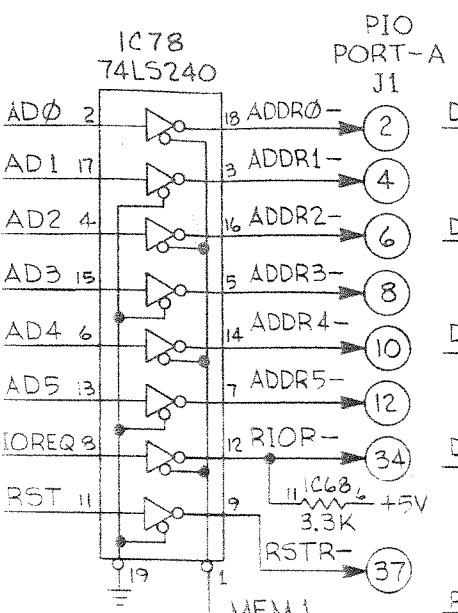
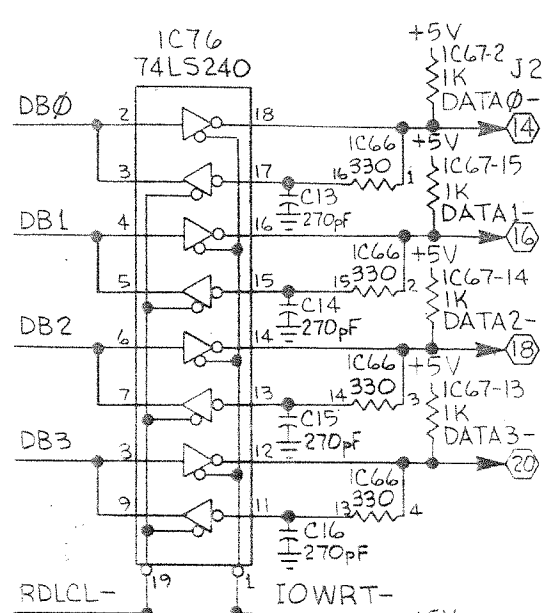
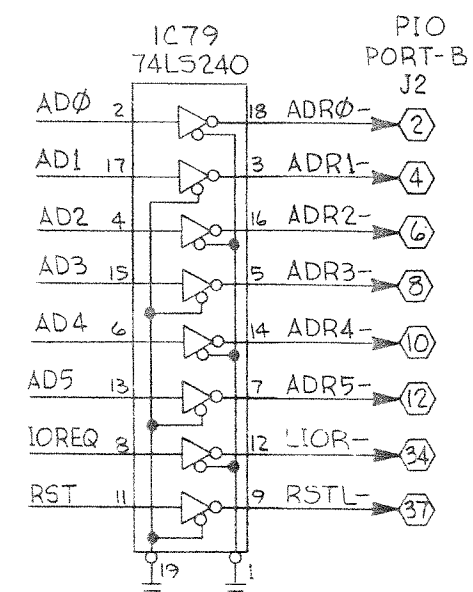


| | | | | |
|--|--|-------------------|--------------|---|
| UNLESS OTHERWISE SPECIFIED | | DRWN BY G. O'NEAL | DATE 3-24-77 | TITLE |
| ALL DIMENSIONS ARE IN INCHES DO NOT SCALE DRAWING REMOVE BURRS AND BREAK EDGES .015 MAX TOLERANCES ON FRACTIONS DECIMALS ANGLES ±.005 ±.008 ±.1° | | CHKD BY | | QI/LITE SYSTEM BOARD RAM LOGIC |
| MATERIAL FINISH | | MECH ENGR | | QI CORPORATION 6 Dubon Court Farmingdale, New York 11735 |
| DASH NEXT ASSY USED ON APPLICATION | | ELEC ENGR | | SIZE DWG. NO. REV D C007-51004 - |
| | | APPROVED | | SEE SEPARATE SHEET FOR LIST OF MATERIALS |
| | | RELEASE | | SCALE SHEET 3 OF 11 |

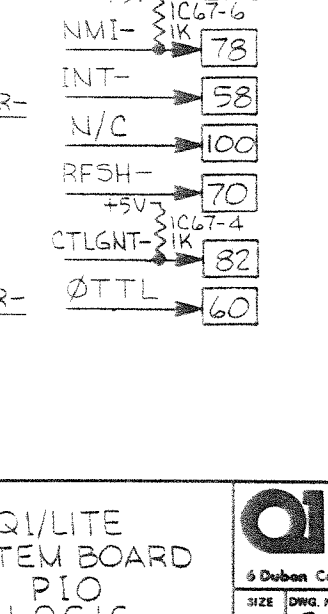
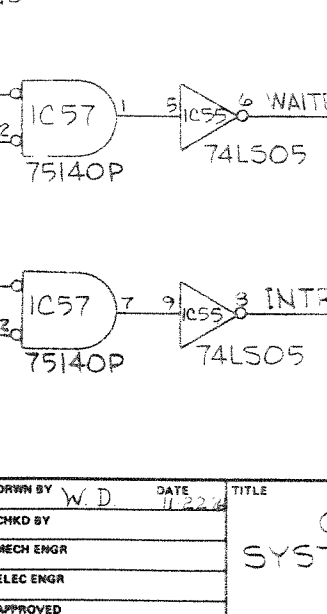
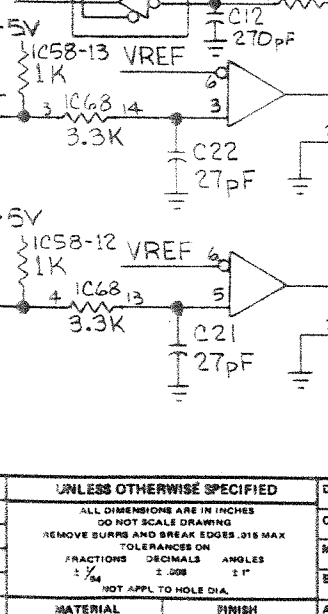
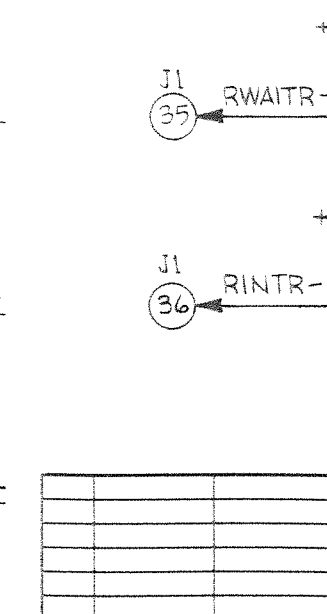
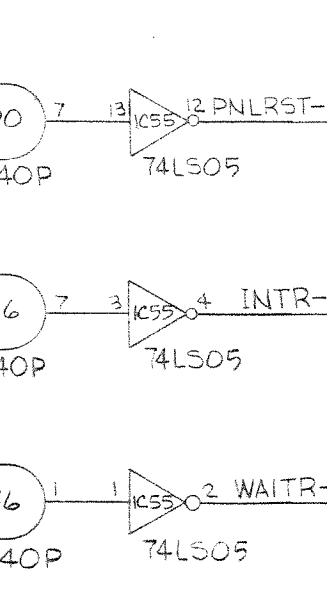
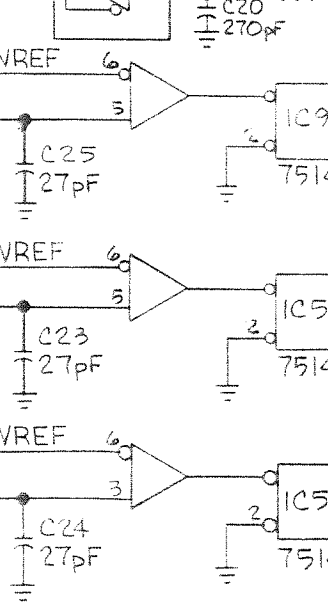
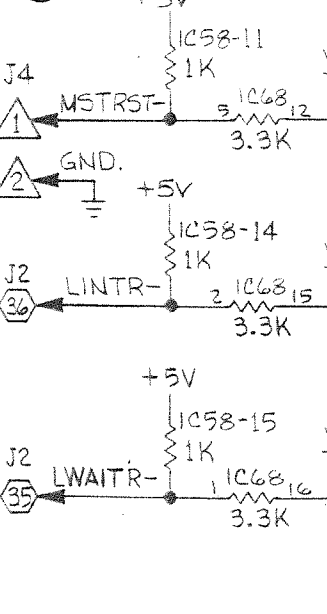
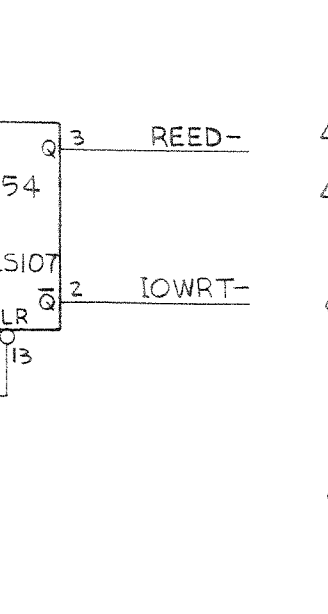
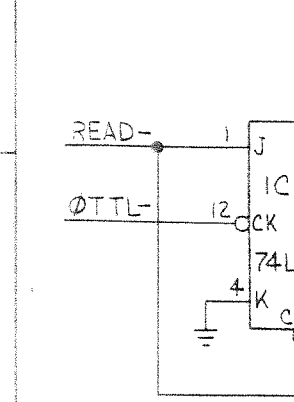
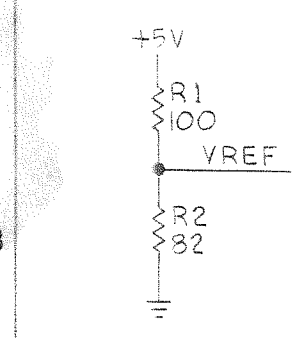
D C B A 007-51004 11

THIS DRAWING AND SPECIFICATIONS HEREIN ARE THE PROPERTY OF QI CORPORATION AND SHALL NOT BE REPRODUCED OR COPIED OR USED IN WHOLE OR IN PART AS THE BASIS FOR THE MANUFACTURE OR SALE OF ITEMS WITHOUT WRITTEN PERMISSION.

| REVISIONS | | | | |
|-----------|------|-------------|------|----|
| LTR | ZONE | DESCRIPTION | DATE | BY |
| H | | SEE SHT.-1 | | |



| TEST PANEL/DMA PORT | | |
|---------------------|----|---------|
| AD0 | P1 | DB6 |
| AD0 | 40 | DB6 |
| AD1 | 38 | DB7 |
| AD2 | 36 | BUSACK- |
| AD3 | 54 | MEM1- |
| AD4 | 52 | BUSGNT- |
| AD5 | 50 | RST- |
| AD6 | 48 | HALT- |
| AD7 | 46 | IOREQ- |
| AD8 | 44 | MEMREQ- |
| AD9 | 42 | READ- |
| AD10 | 4 | WRITE- |
| AD11 | 6 | REFSH- |
| AD12 | 2 | WAITR- |
| AD13 | 22 | BUSRQ- |
| AD14 | 20 | ADAT- |
| AD15 | 16 | PED- |
| DB0 | 72 | INTR- |
| DB1 | 64 | PNLRST- |
| DB2 | 74 | MREQ- |
| DB3 | 62 | RD- |
| DB4 | 88 | WR- |
| DB5 | 86 | IORQ- |
| | | NMI- |
| | | INT- |
| | | N/C |
| | | RFSH- |
| | | CTLGNT- |
| | | DTTL |

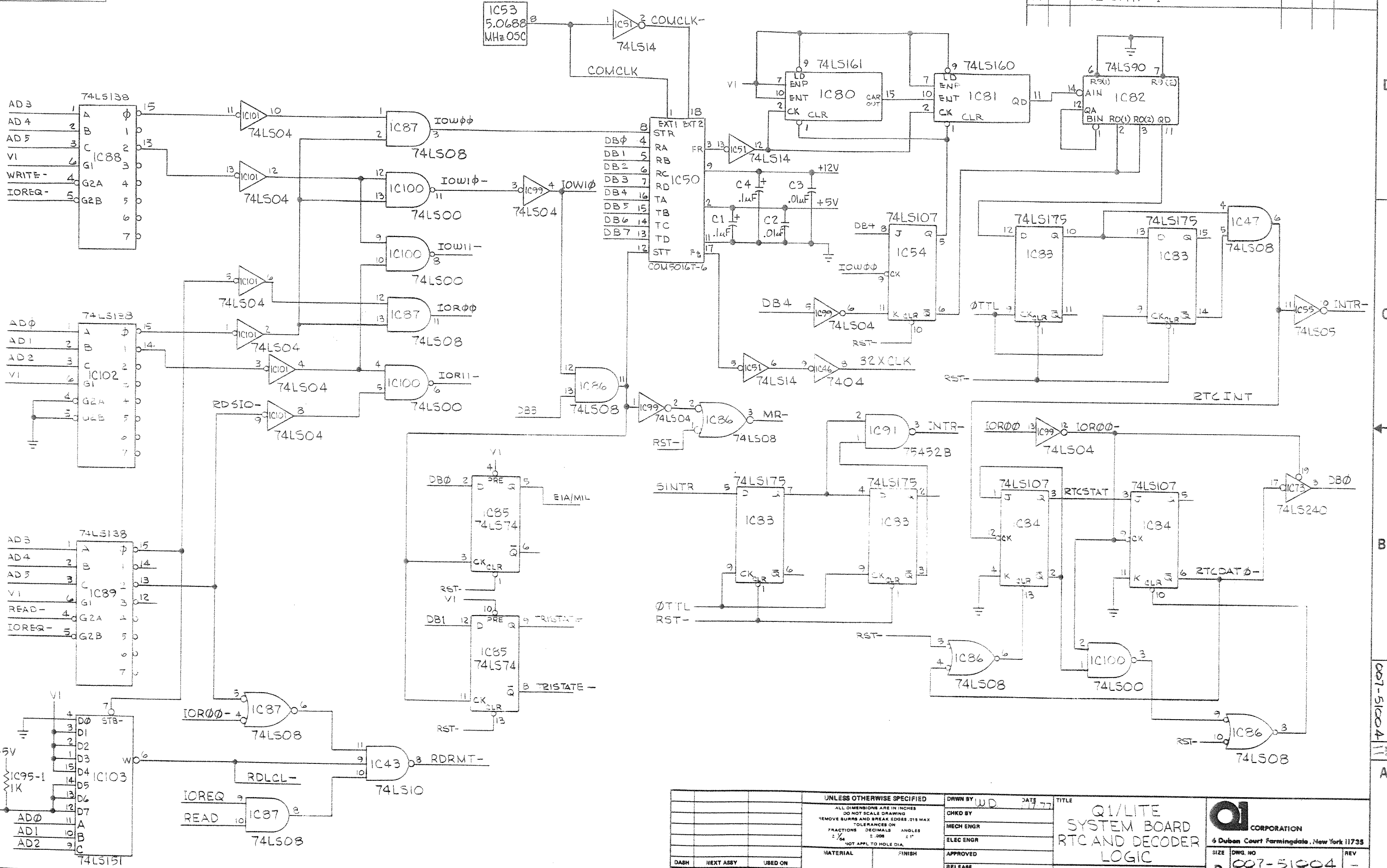


| | | | | | | | | | |
|---------------------------------------|-----------|---------|-----------|------|------|----------|-------|---|---------------|
| UNLESS OTHERWISE SPECIFIED | | | DRWN BY | W.D. | DATE | 11/22/84 | TITLE | QI/LITE SYSTEM BOARD PIO LOGIC | |
| ALL DIMENSIONS ARE IN INCHES | | | CHKD BY | | | | | QI CORPORATION | |
| DO NOT SCALE DRAWING | | | MECH ENGR | | | | | 5 Duban Court Farmingdale, New York 11735 | |
| REMOVE BURRS AND BREAK EDGES .015 MAX | | | ELEC ENGR | | | | | SIZE | DWG NO |
| TOLERANCES ON | | | APPROVED | | | | | D | 007-51004 |
| FRACTIONS DECIMALS ANGLES | | | RELEASE | | | | | SCALE | SHEET 4 of 11 |
| 1/4 1/16 1/32 1/64 | | | | | | | | | |
| NOT APPL TO HOLE DIA. | | | | | | | | | |
| DASH | NEXT ASSY | USED ON | | | | | | | |
| | | | | | | | | | |
| APPLICATION | | | | | | | | | |

007-51004 11

THIS DRAWING AND SPECIFICATIONS HEREIN ARE THE PROPERTY OF Q1 CORPORATION AND SHALL NOT BE REPRODUCED OR COPIED OR USED IN WHOLE OR IN PART AS THE BASIS FOR THE MANUFACTURE OR SALE OF ITEMS WITHOUT WRITTEN PERMISSION.

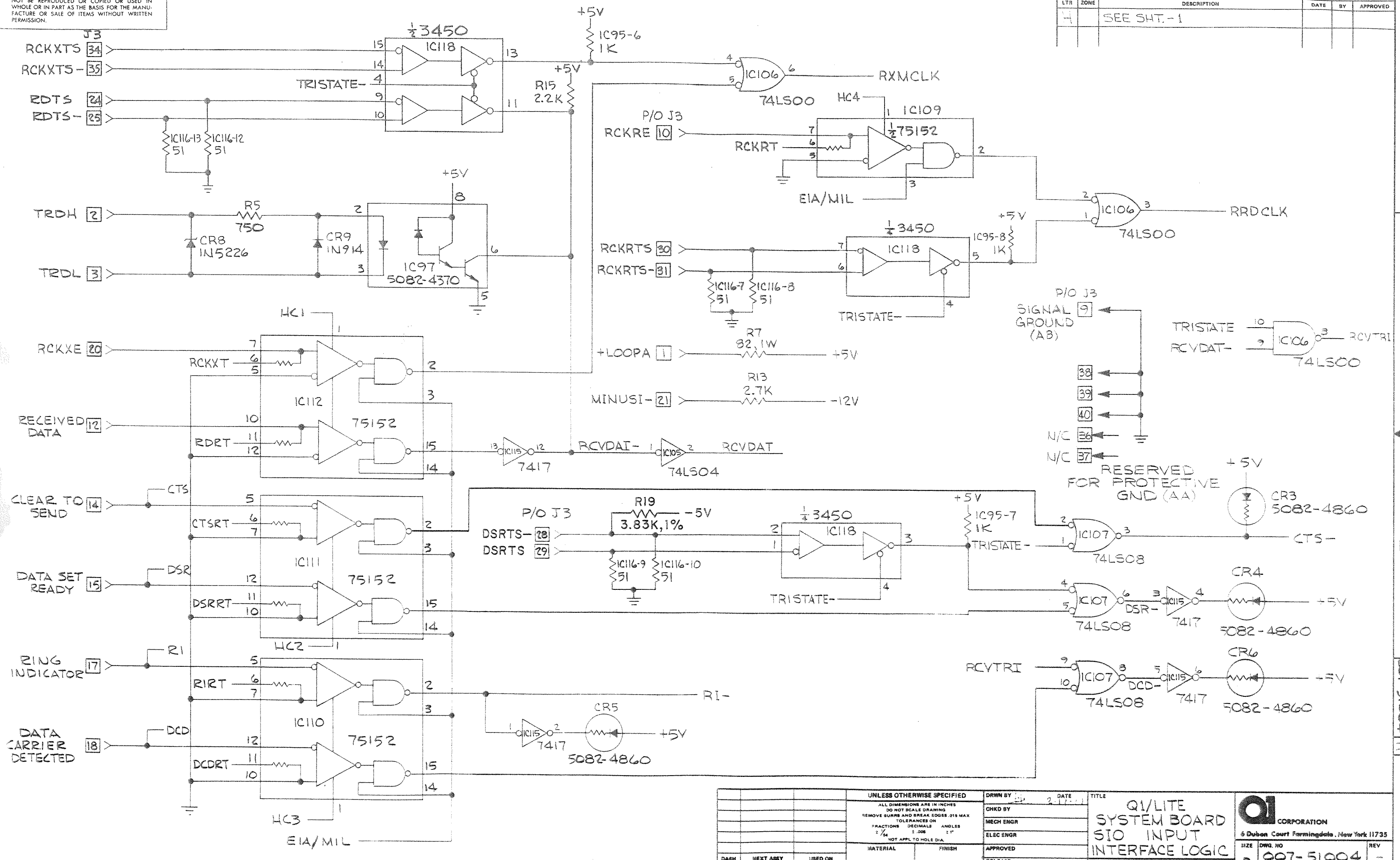
| REVISIONS | | | | | |
|-----------|------|--------------|------|----|----------|
| LTR | ZONE | DESCRIPTION | DATE | BY | APPROVED |
| 1 | | SEE SHT. - 1 | | | |



| APPLICATION | | | MATERIAL | | | FINISH | | | UNLESS OTHERWISE SPECIFIED | | | DRAWN BY | | | DATE | | | TITLE | | |
|-------------|-----------|---------|----------|--|--|--------|--|--|------------------------------|----------------------|---------------------------------------|-------------------------|----------|--------|------|------|--|----------------|---|--|
| DASH | NEXT ASSY | USED ON | | | | | | | ALL DIMENSIONS ARE IN INCHES | DO NOT SCALE DRAWING | REMOVE BURRS AND BREAK EDGES .015 MAX | TOLERANCES ON FRACTIONS | DECIMALS | ANGLES | W.D. | 7/77 | Q1/LITE SYSTEM BOARD RTC AND DECODER LOGIC | Q1 CORPORATION | 4 Dubon Court Farmingdale, New York 11735 | |
| | | | | | | | | | ± 1/64 | ± .008 | ± 1° | | | | | | SEE SEPARATE SHEET FOR LIST OF MATERIALS | SIZE | DWG. NO. | |
| | | | | | | | | | | | | | | | | | D | 007-51004 | REV | |
| | | | | | | | | | | | | | | | | | | SCALE | SHEET 5 OF 11 | |

THIS DRAWING AND SPECIFICATIONS HEREIN ARE THE PROPERTY OF Q1 CORPORATION AND SHALL NOT BE REPRODUCED OR COPIED OR USED IN WHOLE OR IN PART AS THE BASIS FOR THE MANUFACTURE OR SALE OF ITEMS WITHOUT WRITTEN PERMISSION.

| REVISIONS | | | | |
|-----------|------|--------------|------|----------|
| LTR | ZONE | DESCRIPTION | DATE | APPROVED |
| 4 | | SEE SHT. - 1 | | |

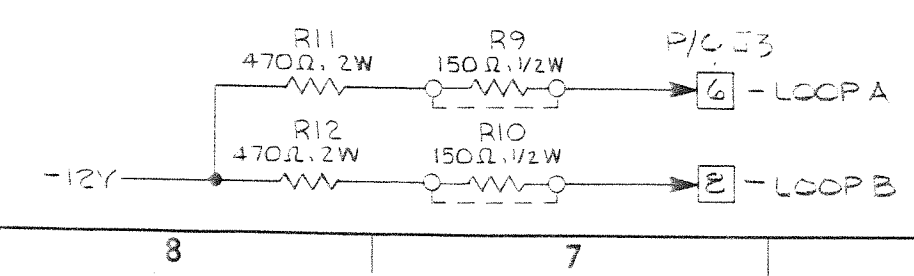
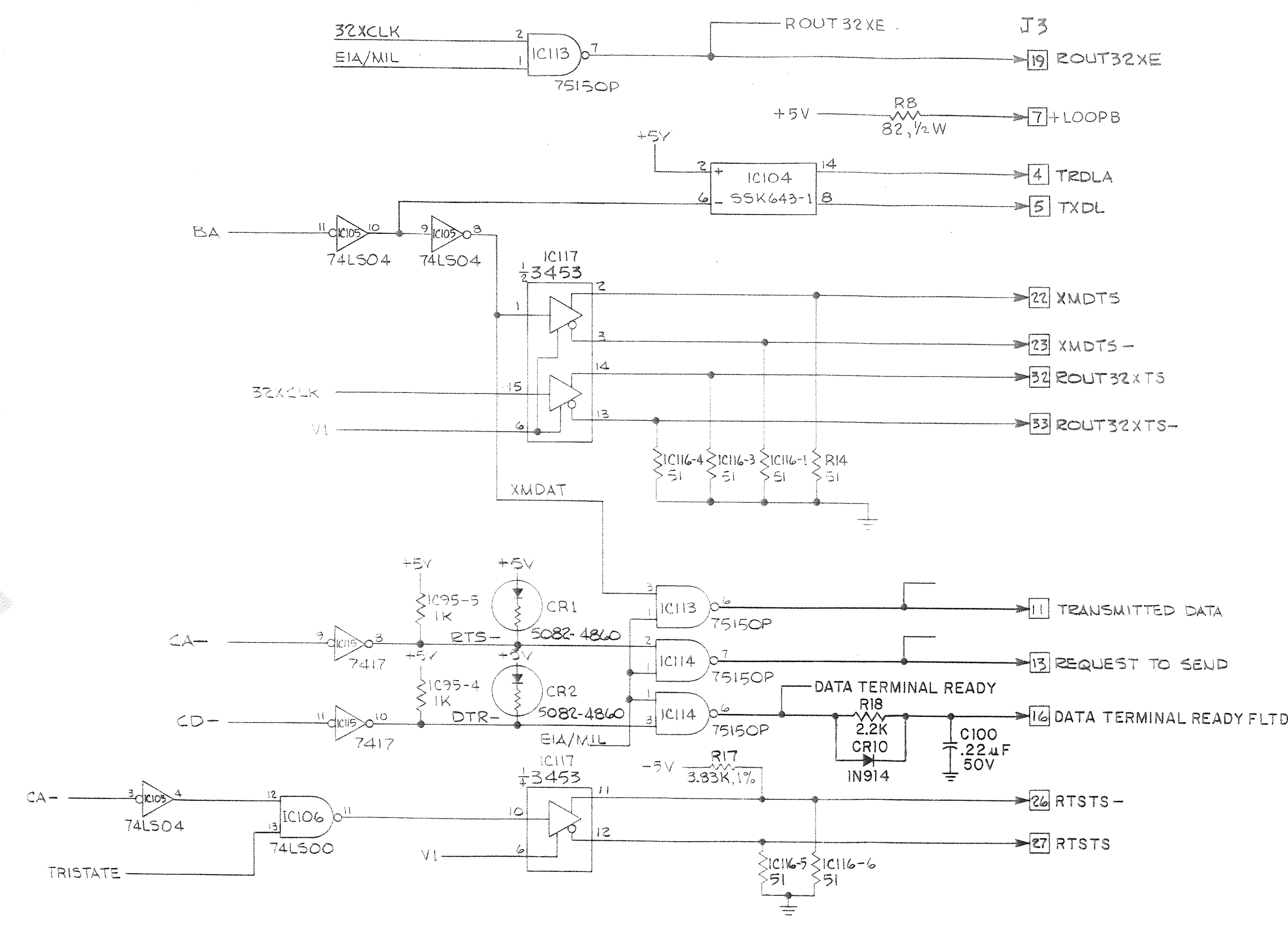


| | | | | | | |
|---|-----------|---------|----------|--------|--|---|
| UNLESS OTHERWISE SPECIFIED | | | DRWN BY | DATE | TITLE | 6 Dubon Court Farmingdale, New York 11735 |
| ALL DIMENSIONS ARE IN INCHES DO NOT SCALE DRAWING REMOVE SURRS AND BREAK EDGES .015 MAX TOLERANCES ON FRACTIONS DECIMALS ANGLES $\pm \frac{1}{64}$ $\pm .008$ $\pm 1^\circ$ NOT APPL TO HOLE DIA. | | | CHKD BY | | Q1/LITE SYSTEM BOARD SIO INPUT INTERFACE LOGIC SEE SEPARATE SHEET FOR LIST OF MATERIALS | |
| DASH | NEXT ASSY | USED ON | MATERIAL | FINISH | APPROVED | SIZE DWG. NO D 007-51004 |
| APPLICATION | | | | | RELEASE | REV - SCALE SHEET 7 OF 11 |

007-51004

THIS DRAWING AND SPECIFICATIONS HEREIN ARE THE PROPERTY OF QI CORPORATION AND SHALL NOT BE REPRODUCED OR COPIED OR USED IN WHOLE OR IN PART AS THE BASIS FOR THE MANUFACTURE OR SALE OF ITEMS WITHOUT WRITTEN PERMISSION.

| REVISIONS | | | | |
|-----------|------|--------------|------|----------|
| LTR | ZONE | DESCRIPTION | DATE | APPROVED |
| H | | SEE SHT. - 1 | | |

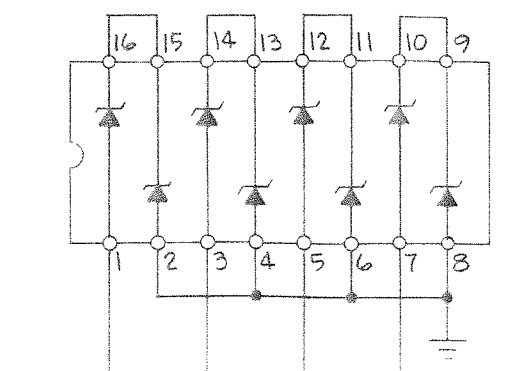
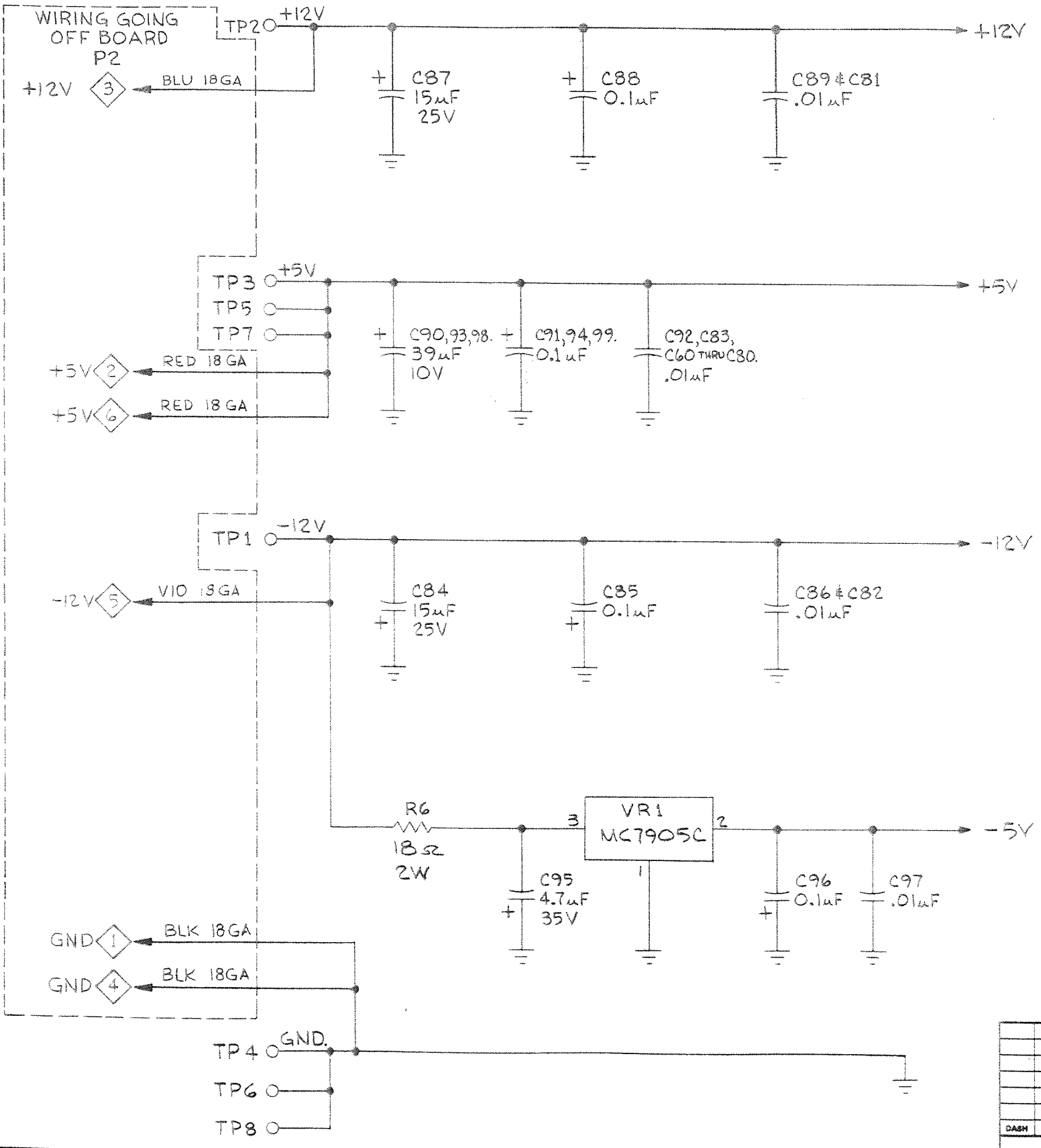


| UNLESS OTHERWISE SPECIFIED | | | DRWN BY | DATE | TITLE |
|--|-----------|---------|--|---------|---|
| ALL DIMENSIONS ARE IN INCHES DO NOT SCALE DRAWING | | | ETH | 2-23-77 | QI/LITE SYSTEM BOARD SIO OUTPUT INTERFACE LOGIC |
| REMOVE BURRS AND BREAK EDGES .015 MAX | | | CHKD BY | | QI CORPORATION 5 Dubon Court Farmingdale, New York 11735 |
| TOLERANCES ON | | | MECH ENGR | | |
| FRACTIONS DECIMALS ANGLES | | | ELEC ENGR | | |
| ±1/64 ±.008 ±1" | | | APPROVED | | SIZE DWG. NO |
| NOT APPL TO HOLE DIA. | | | RELEASE | | D 007-51004 |
| DASH | NEXT ASSY | USED ON | SEE SEPARATE SHEET FOR LIST OF MATERIALS | | |
| APPLICATION | | | SCALE SHEET 3 of 11 | | |

007-51004 11 A

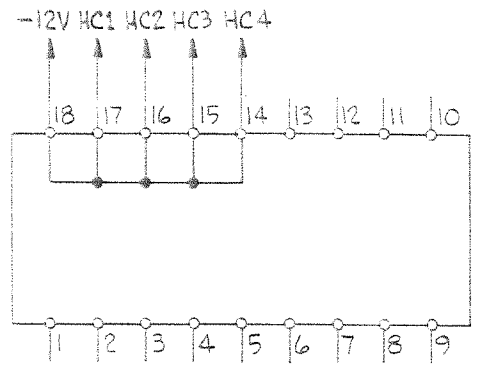
THE PROPERTY OF QI CORPORATION AND SHALL NOT BE REPRODUCED OR COPIED OR USED IN WHOLE OR IN PART AS THE BASIS FOR THE MANUFACTURE OR SALE OF ITEMS WITHOUT WRITTEN PERMISSION.

| LTR | ZONE | DESCRIPTION | DATE | BY | APPROVED |
|-----|------|--------------|------|----|----------|
| | | SEE SHT. - 1 | | | |

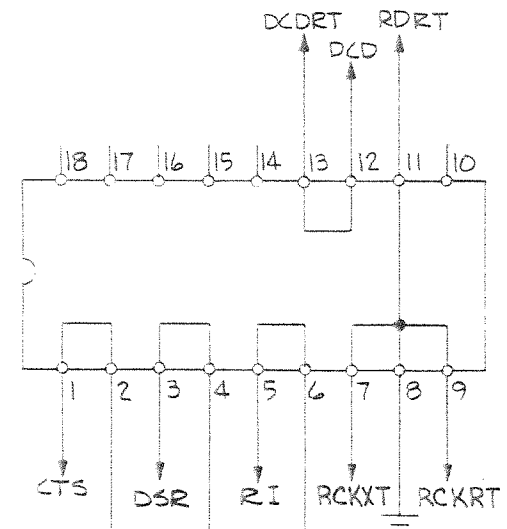


8 EACH IN752A DIODES

HEADER 1 INSERTED FOR MIL OPTION Q1 PART NR. 007-02009



HEADER 3 INSERTED FOR EIA FAILSAFE OPTION Q1 PART NR. 007-02011



HEADER 2 INSERTED FOR MIL OPTION Q1 PART NR. 007-02010

| UNLESS OTHERWISE SPECIFIED | | | DRWN BY | DATE | TITLE |
|---|--|--|-----------|----------|---|
| ALL DIMENSIONS ARE IN INCHES DO NOT SCALE DRAWING REMOVE BURRS AND BREAK EDGES .015 MAX TOLERANCES ON FRACTIONS DECIMALS ANGLES ±.004 ±.008 ±.1° NOT APPL. TO HOLE DIA. | | | SA | 2-15-77 | Q1/LITE SYSTEM BOARD D.C. INPUTS & HEADER ASSEMBLIES |
| MATERIAL | | | FINISH | APPROVED | QI CORPORATION 6 Dubon Court Farmingdale, New York 11735 |
| DASH | | | NEXT ASSY | USED ON | |
| APPLICATION | | | RELEASE | | SIZE DWG. NO. REV |
| | | | | | D 007-51004 - |
| | | | | | SCALE SHEET 9 OF 11 |

8 7 6 5 4 3 2 1

007-51004 11 A

THIS DRAWING AND SPECIFICATIONS HEREIN ARE THE PROPERTY OF QI CORPORATION AND SHALL NOT BE REPRODUCED OR COPIED OR USED IN WHOLE OR IN PART AS THE BASIS FOR THE MANUFACTURE OR SALE OF ITEMS WITHOUT WRITTEN PERMISSION.

| REVISIONS | | | | |
|-----------|------|--------------|------|----------|
| LTR | ZONE | DESCRIPTION | DATE | APPROVED |
| 7 | | SEE SHT. - 1 | | |

| TTL TEST PANEL/DMA PORT | ADDRESS BUS, CONT/SYS. STAT. | DATA BUS, CONT/SYS. STAT. | DATA BUS, CONT/SYS. STAT. |
|-------------------------|------------------------------|---------------------------|---------------------------|
| P1 - 40 AD0 I/O | | | |
| 38 AD1 | | | |
| 36 AD2 | | | |
| 54 AD3 | | | |
| 52 AD4 | | | |
| 50 AD5 | | | |
| 48 AD6 | | | |
| 46 AD7 | | | |
| 44 AD8 | | | |
| 42 AD9 | | | |
| 4 AD10 | | | |
| 6 AD11 | | | |
| 2 AD12 | | | |
| 22 AD13 | | | |
| 20 AD14 | | | |
| 16 AD15 | | | |
| 72 DB0 | | | |
| 64 DB1 | | | |
| 74 DB2 | | | |
| 62 DB3 | | | |
| 88 DB4 | | | |
| 86 DB5 | | | |
| 80 DB6 | | | |
| 76 DB7 I/O | | | |
| 96 BUSACK- O | | | |
| 98 MEMI- O | | | |
| 94 BUSGNT- O | | | |
| 92 RST- O | | | |
| 84 HALT- O | | | |
| 34 IOREQ- I/O | | | |
| 14 MEMREQ- I/O | | | |
| 10 READ- I/O | | | |
| 8 WRITE- I/O | | | |
| 18 REFUSH- I/O | | | |
| 30 WAITR- I | | | |
| 32 BUSRQ- I | | | |
| 12 ADAT- I | | | |
| 24 PED- I | | | |
| 26 INTR- I | | | |
| 28 PNLRST- I | | | |
| 56 MREQ- O | | | |
| 68 RD- O | | | |
| 90 WR- O | | | |
| 66 IORQ- O | | | |
| 78 NMI- I | | | |
| 58 INT- O | | | |
| 100 N/C | | | |
| 70 RFSH- O | | | |
| 82 CTLGNT- I | | | |
| P1 - 60 0TTL O | | | |

1 TO 49 (ODD) GND
51 TO 99 (ODD) +5V

| PIO PORT-B | LCL TTL I/O BUS |
|------------|-----------------|
| J2 - 1 | GND BRN |
| 2 | ADR0- RED |
| 3 | GND ORG |
| 4 | ADR1- YEL |
| 5 | GND GRN |
| 6 | ADR2- BLU |
| 7 | GND VIO |
| 8 | ADR3- GRY |
| 9 | GND WHT |
| 10 | ADR4- BLK |
| 11 | GND BRN |
| 12 | ADR5- RED |
| 13 | GND ORG |
| 14 | DATA0- YEL |
| 15 | GND GRN |
| 16 | DATA1- BLU |
| 17 | GND VIO |
| 18 | DATA2- GRY |
| 19 | GND WHT |
| 20 | DATA3- BLK |
| 21 | GND BRN |
| 22 | DATA4- RED |
| 23 | GND ORG |
| 24 | DATA5- YEL |
| 25 | GND GRN |
| 26 | DATA6- BLU |
| 27 | GND VIO |
| 28 | DATA7- GRY |
| 29 | GND WHT |
| 30 | RDL- BLK |
| 31 | GND BRN |
| 32 | WRTL- RED |
| 33 | PWRON ORN |
| 34 | LOR- YEL |
| 35 | LWAITR- GRN |
| 36 | LINTR- BLU |
| 37 | RSTL- VIO |
| 38 | GND GRY |
| 39 | GND WHT |
| J2-40 | GND BLK |

| SIO BUS |
|--------------------------------------|
| J3 - 1 +LOOPA BRN |
| 2 TRDH RED |
| 3 TRDL ORG |
| 4 TRDLA YEL |
| 5 TXDL GRN |
| 6 -LOOPA BLU |
| 7 +LOOPB VIO |
| 8 -LOOPB GRY |
| 9 SIG GND (AB) WHT |
| 10 RCKRE (DD) BLK |
| 11 TRANSMITTED DATA (BA) BRN |
| 12 RECEIVED DATA (BB) RED |
| 13 REQUEST TO SEND (CA) ORG |
| 14 CLEAR TO SEND (CB) YEL |
| 15 DATA SET READY (CC) GRN |
| 16 DATA TERMINAL READY FLTD (CD) BLU |
| 17 RING INDICATOR (CE) VIO |
| 18 DATA CARRIER DETECTED (CF) GRY |
| 19 ROUT 32XE WHT |
| 20 RCKXE (DB) BLK |
| 21 MINUSI- BRN |
| 22 XMDTS RED |
| 23 XMDTS- ORG |
| 24 RDTS YEL |
| 25 RDTS- GRN |
| 26 RTSTS BLU |
| 27 RTSTS VIO |
| 28 DSRTS- GRY |
| 29 DSRTS WHT |
| 30 RCKRTS BLK |
| 31 RCKRTS- BRN |
| 32 ROUT32XTS RED |
| 33 ROUT32XTS- ORG |
| 34 RCKXTS YEL |
| 35 RCKXTS- GRN |
| 36 N/C [PROTECTIVE] BLU |
| 37 N/C [GND (AA)] VIO |
| 38 GND GRY |
| 39 GND WHT |
| J3-40 GND BLK |

| PIO PORT-A | RMT TTL I/O BUS |
|------------|-----------------|
| J1 - 1 | GND BRN |
| 2 | ADDR0- RED |
| 3 | GND ORG |
| 4 | ADDR1- YEL |
| 5 | GND GRN |
| 6 | ADDR2- BLU |
| 7 | GND VIO |
| 8 | ADDR3- GRY |
| 9 | GND WHT |
| 10 | ADDR4- BLK |
| 11 | GND BRN |
| 12 | ADDR5- RED |
| 13 | GND ORG |
| 14 | DBR0- YEL |
| 15 | GND GRN |
| 16 | DBR1- BLU |
| 17 | GND VIO |
| 18 | DBR2- GRY |
| 19 | GND WHT |
| 20 | DBR3- BLK |
| 21 | GND BRN |
| 22 | DBR4- RED |
| 23 | GND ORG |
| 24 | DBR5- YEL |
| 25 | GND GRN |
| 26 | DBR6- BLU |
| 27 | GND VIO |
| 28 | DBR7- GRY |
| 29 | GND WHT |
| 30 | RDR- BLK |
| 31 | GND BRN |
| 32 | WRTR- RED |
| 33 | PWRON ORG |
| 34 | RIOR- YEL |
| 35 | RWAITR- GRN |
| 36 | RINTR- BLU |
| 37 | RSTR- VIO |
| 38 | GND GRY |
| 39 | GND WHT |
| J1 - 40 | GND BLK |

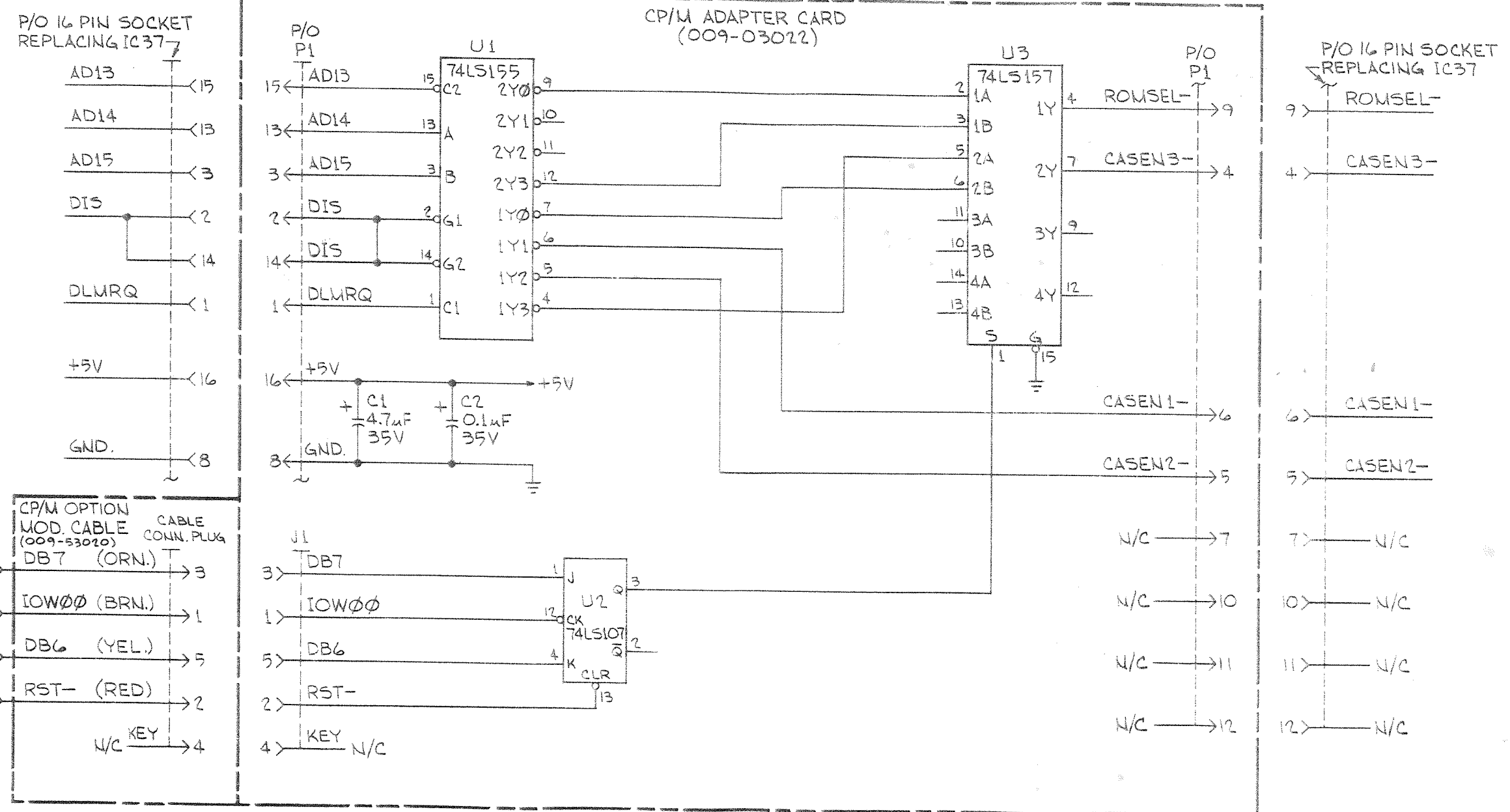
| | | | | |
|---|----------------|---------|---|---|
| UNLESS OTHERWISE SPECIFIED | | | DRWN BY <u>W.D.</u> DATE <u>2/16/77</u> | TITLE |
| ALL DIMENSIONS ARE IN INCHES DO NOT SCALE DRAWING REMOVE BURRS AND BREAK EDGES .015 MAX | | | CHKD BY | QI/LITE SYSTEM BOARD I/O CONNECTORS |
| TOLERANCES ON FRACTIONS DECIMALS ANGLES 2/64 0.008 1° | | | MECH ENGR | |
| NOT APPL. TO HOLE DIA. | | | ELEC ENGR | |
| DASH | NEXT ASSY | USED ON | MATERIAL | FINISH |
| APPLICATION | | | APPROVED | RELEASE |
| SEE SEPARATE SHEET FOR LIST OF MATERIALS | | | | QI CORPORATION 6 Duben Court Farmingdale, New York 11735 |
| SIZE | DWG. NO. | REV. | | |
| D | 007-51004 | - | | |
| SCALE | SHEET 10 OF 11 | | | |

8 7 6 5 4 3 2 1

007-51004

THIS DRAWING AND SPECIFICATIONS HEREIN ARE THE PROPERTY OF QI CORPORATION AND SHALL NOT BE REPRODUCED OR COPIED OR USED IN WHOLE OR IN PART AS THE BASIS FOR THE MANUFACTURE OR SALE OF ITEMS WITHOUT WRITTEN PERMISSION.

| REVISIONS | | | | | |
|-----------|------|-------------|------|----|----------|
| LTR | ZONE | DESCRIPTION | DATE | BY | APPROVED |
| 4 | | SEE SHT-1. | | | |



| CP/M OPTION MOD. CABLE (009-53020) | CABLE CONN. PLUG (ORN.) |
|------------------------------------|-------------------------|
| TO IC34 PIN 9 | DB7 (ORN.) → 3 |
| TO IC54 PIN 9 | IOW (BRN.) → 1 |
| TO IC34 PIN 12 | DB6 (YEL.) → 5 |
| TO IC54 PIN 10 | RST- (RED) → 2 |
| | N/C KEY → 4 |

- NOTES:**
- TO INSTALL THE CP/M OPTION INTO THE SYSTEM BOARD;
 - REMOVE IC37 (SHEET 2) & REPLACE WITH A 16 PIN D.I.P. SOCKET.
 - PLUG CP/M ADAPTER CARD (009-03022) INTO IC37 SOCKET USING P1 ON ADAPTER CARD AS PLUG.
 - PLUG CP/M OPTION MODIFICATION CABLE (009-53020) INTO J1 ON ADAPTER CARD.
 - SOLDER THE (4) WIRES ON THE CABLE TO THE POINTS ON THE SYSTEM BOARD INDICATED ON THE SCHEMATIC ABOVE.

| | | | | |
|---|-----------|---------------------|--------------------|---|
| UNLESS OTHERWISE SPECIFIED | | DRWN BY g.o. | DATE 3-4-80 | TITLE |
| ALL DIMENSIONS ARE IN INCHES DO NOT SCALE DRAWING REMOVE BURRS AND BREAK EDGES .015 MAX | | CHKD BY MB | | QI/LITE SYSTEM BOARD CP/M OPTION |
| TOLERANCES ON FRACTIONS DECIMALS ANGLES | | MECH ENGR | ELEC ENGR | |
| 1/4 ±.005 ±.010 | | APPROVED | RELEASE | SEE SEPARATE SHEET FOR LIST OF MATERIALS |
| DASH | NEXT ASSY | USED ON | APPLICATION | SIZE D DWG. NO. 007-51004 REV. - |
| | | | | SCALE SHEET 11 of 11 |

007-51004