

LINE VOLTAGE CONNECTOR

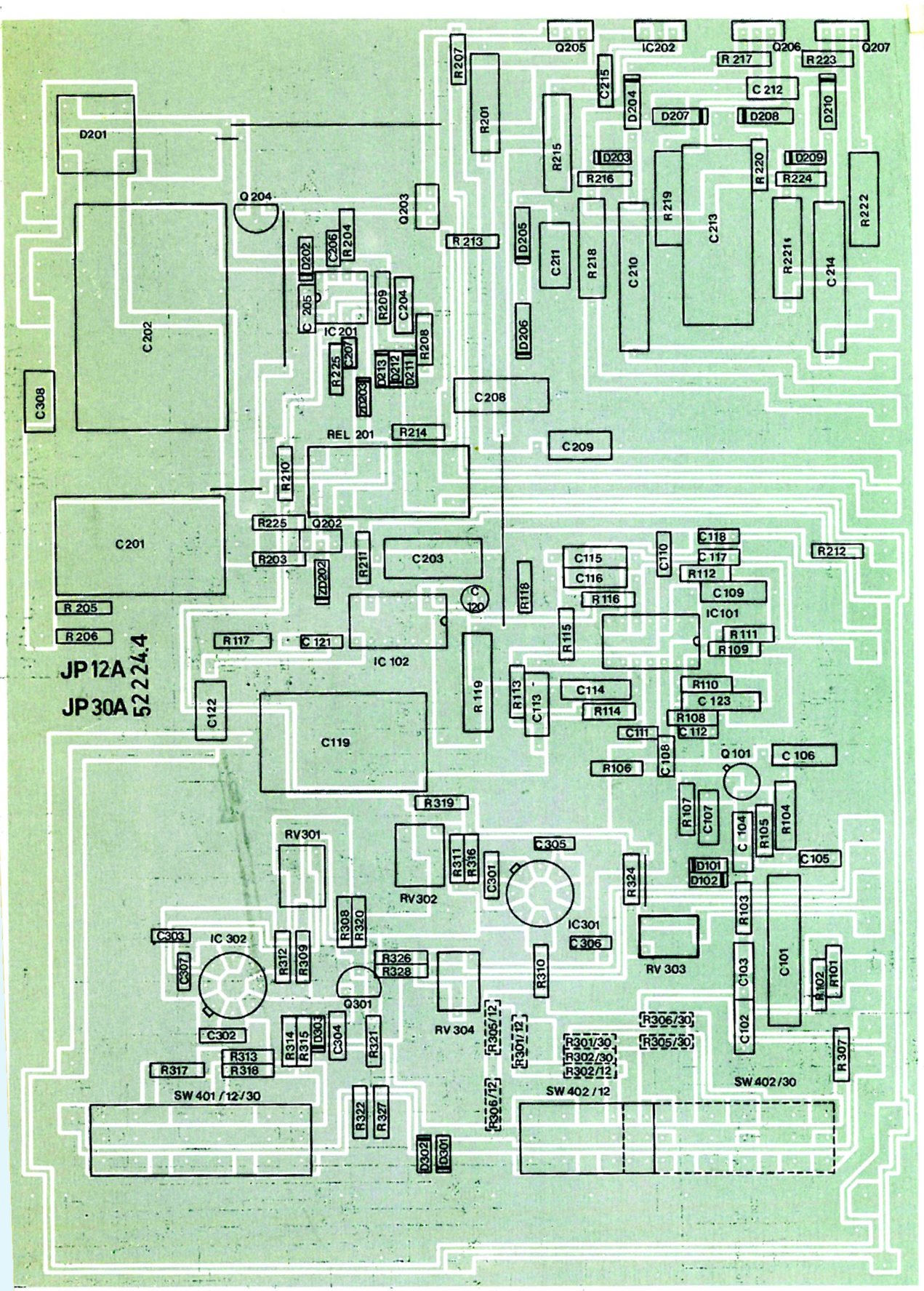
H.T.

PROBE

\* MAX 33n

<h1 style="margin: 0;">83604</h1>	<h2 style="margin: 0;">JP 30A</h2> <h3 style="margin: 0;">NON DESTRUCTIVE INSULATION TESTER</h3> <h3 style="margin: 0;">CIRCUIT DIAGRAM</h3>		101079 BR 070579 BR RETTET TEGNET KONSTRUERET GOODKFNØT	260483 BR 210781 BR 071080 BR 300379 B RAS S KOFØED OLSEN
	<p>A/S DANBRIDGE</p>			

JP 12A  
JP 30A 52224.4



SW 401 / 12 / 30

SW 402 / 12

SW 402 / 30