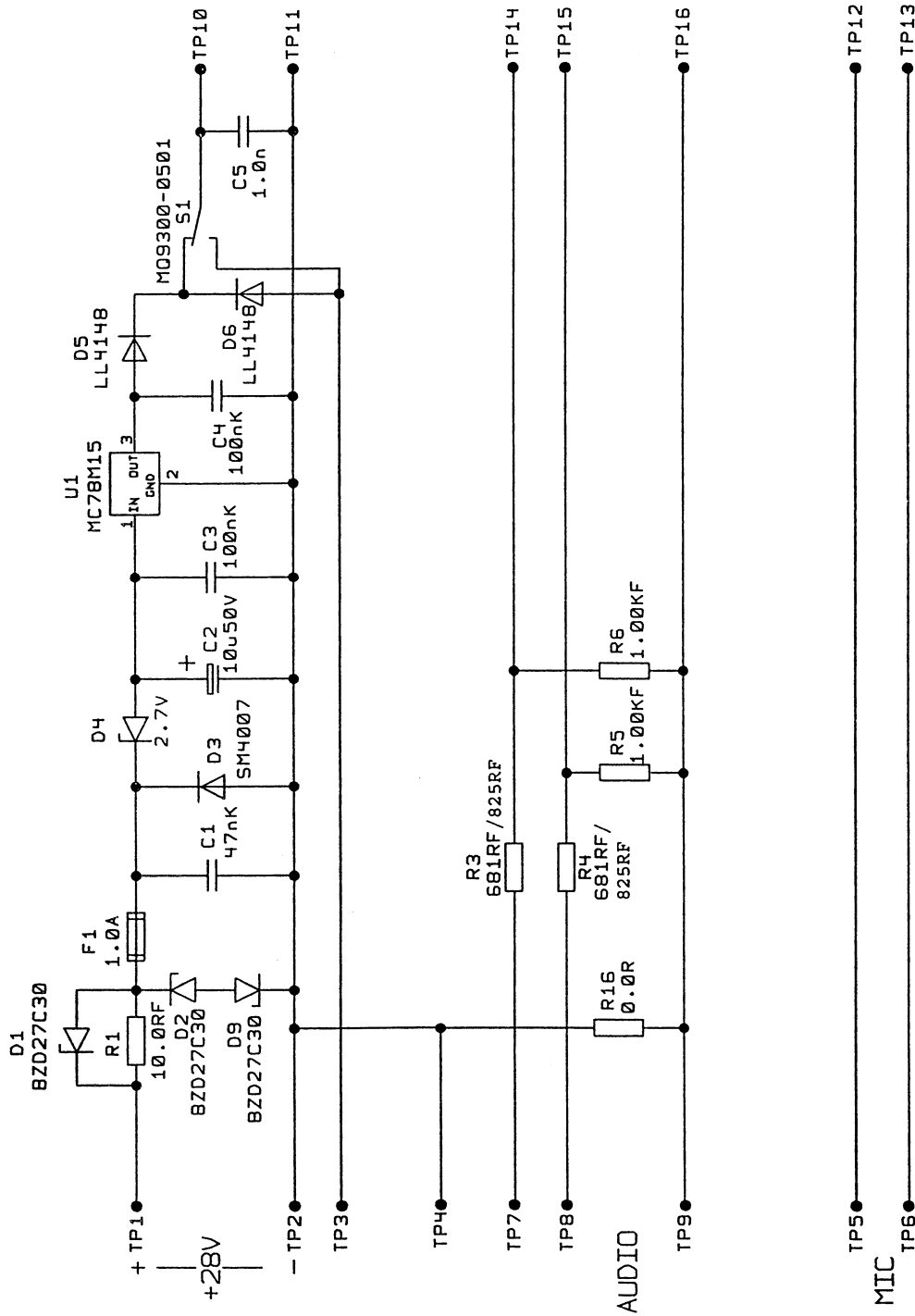


***REMARK:** Resistors R5/R6 **not** mounted with -325 version from serial no. **100237** onward.

HMEC 25 DC/DC Converter Circuit Card Assembly,
Maintenance Aid Diagram
Figure 110

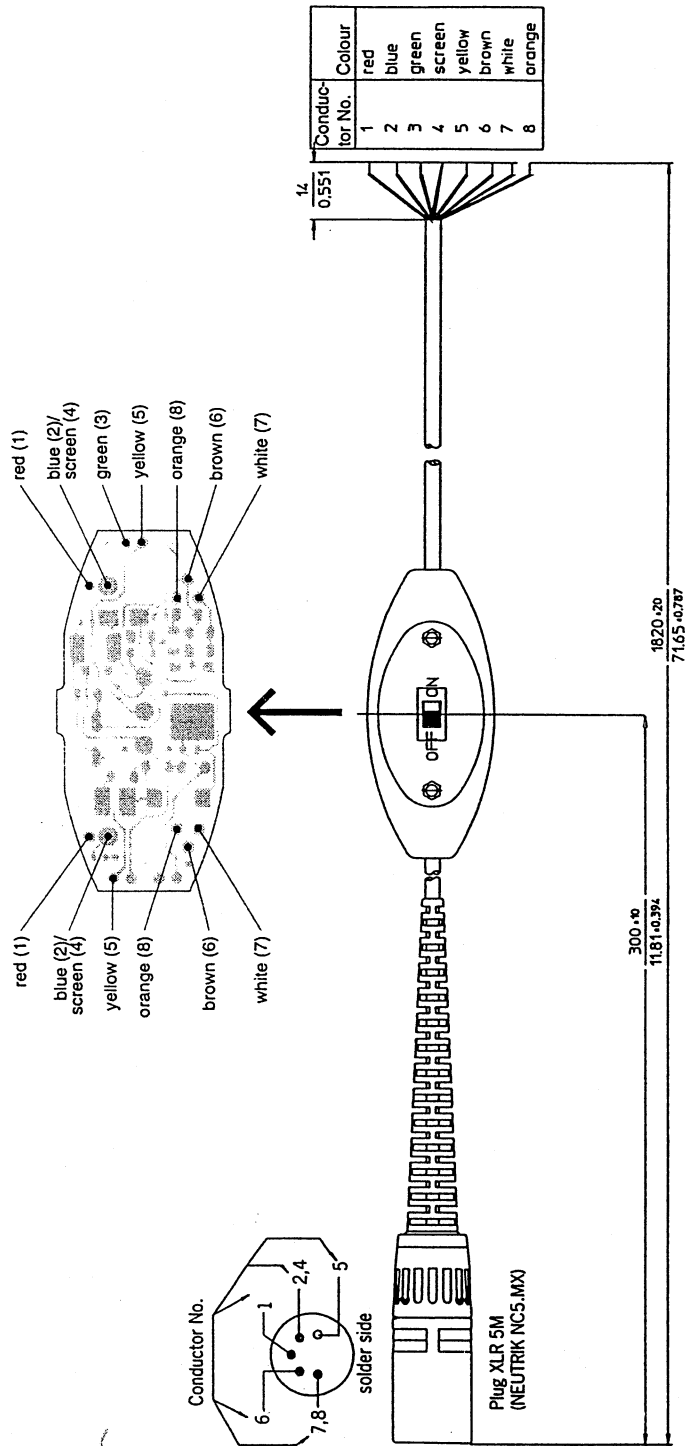
23-41-31



HMEC 25 DC/DC Converter Circuit Card Assembly,
Schematic Diagram
Figure 111

***REMARK:** Only for -325 version from serial no. **100237** onward the following values are valid.
R3/R4: 825 Ω
R5/R6: not mounted

23-41-31



HMEC 25-CAP Connecting Cable
Figure 114

23-41-31