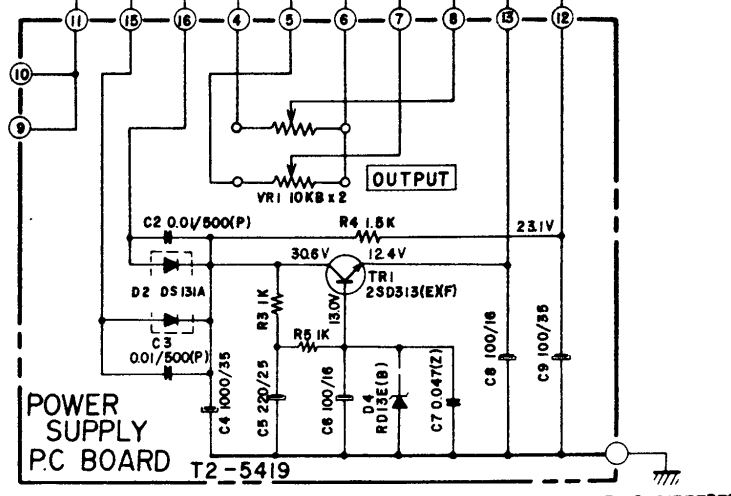
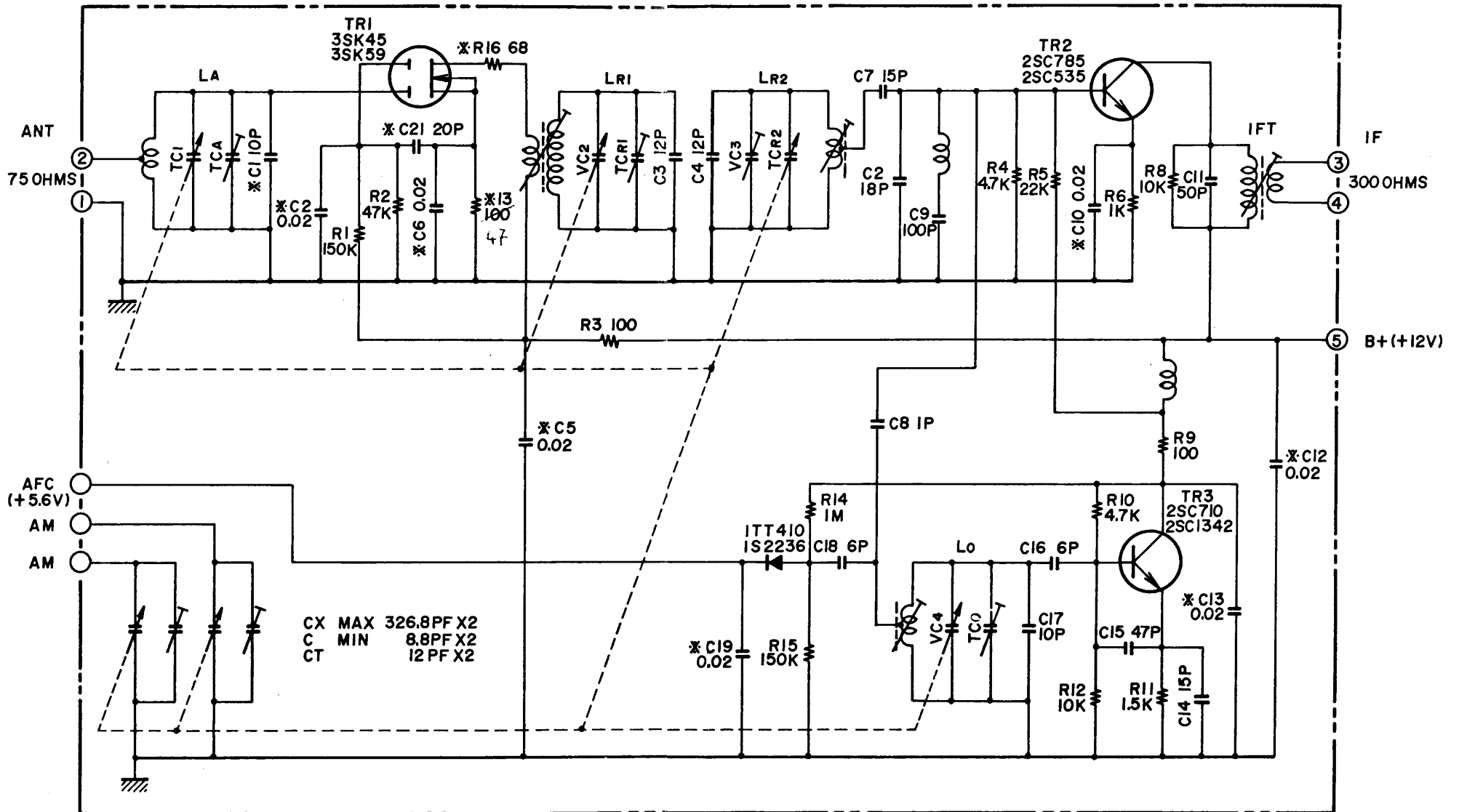


USE
 F901 0.5A 100V ARER
 F902 0.25A 200V ARER
 (F903)



NOTE 1. UNLESS OTHERWISE SPECIFIED 2. POWER TRANSFORMER IS DIFFERENT
 ALL RESISTORS IN OHMS 1/4 W(J) ACCORDING TO AREA
 ALL CAPACITORS IN μF 50 WV(J)
 P = μMUF

AT-2400



AT-2400
 FRONT END FB622U11
 NO. 2-2 1540447A