

Betjeningsbox for CB 33
med 5-Tone generator
Manual.nr 148
Control head for CB 33
with 5-Tone encoder

CONTROL HEAD FOR 5-TONE GENERATOR.

The control head consists of a normal sinus box, provided with a 5-tone generator with tap coil and including the necessary controls.

The first three figures are coded directly on the tap coil according to the colour code. The remaining 2 figures will be selected by the switches.

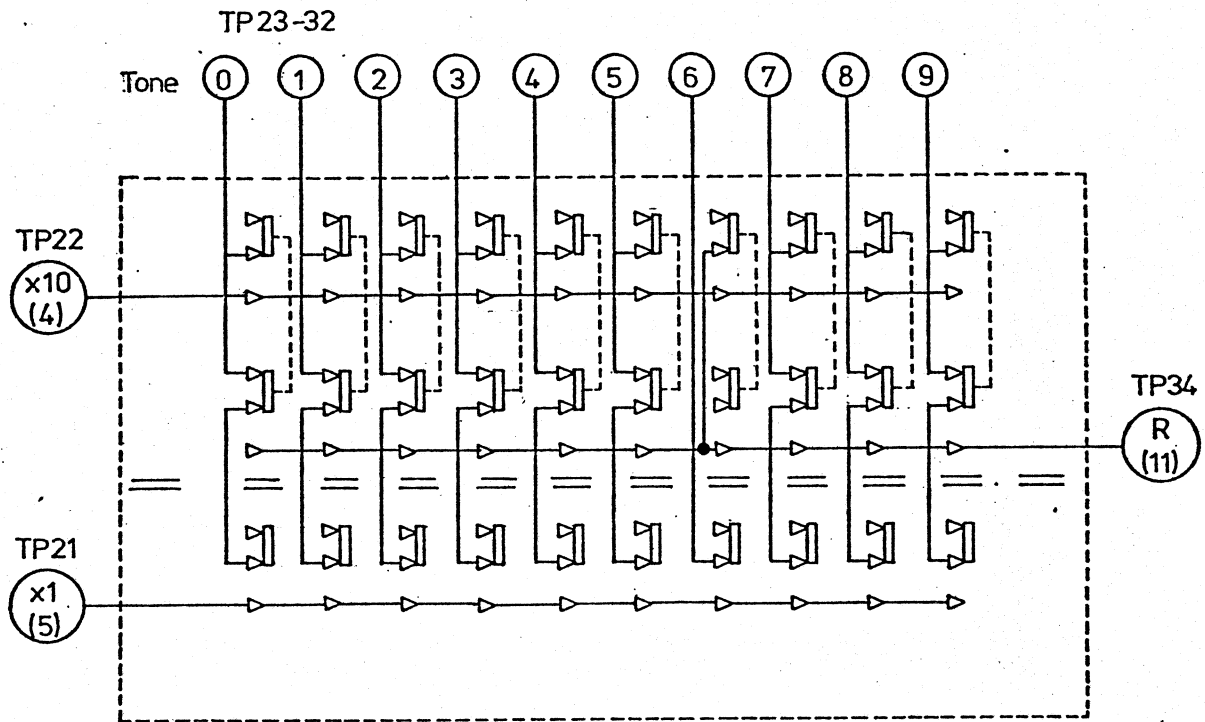
The selection of these last figures are done by 2 rows of push buttons. The upper row (fourth figure) is indicated by X 10 and the lowest row (fifth figure) is indicated by X 1.

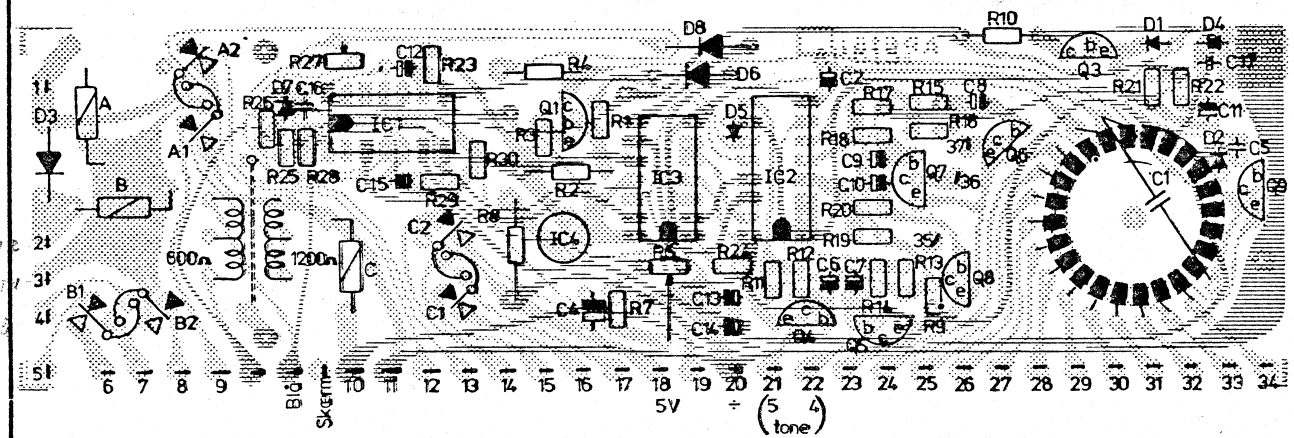
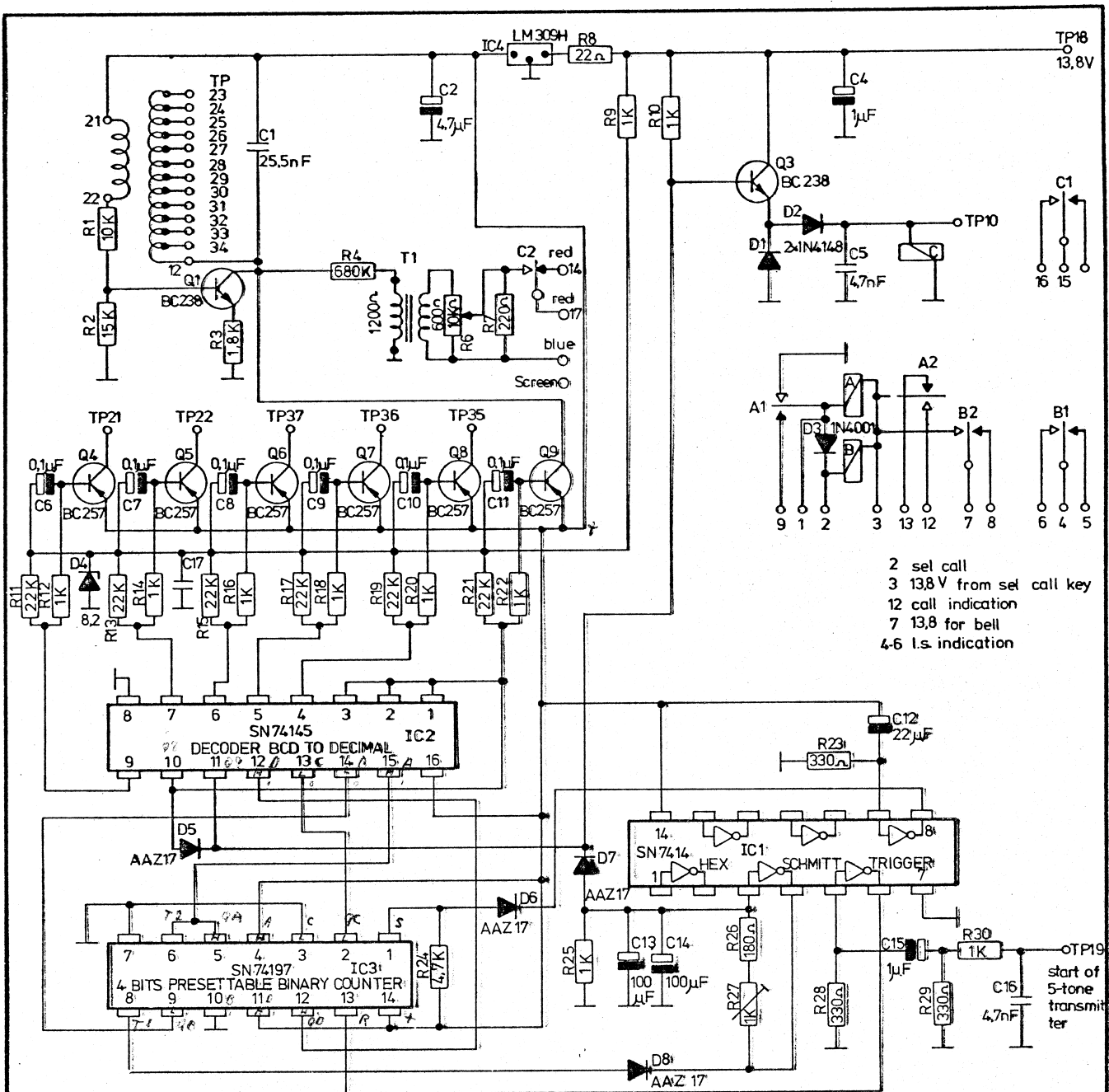
When these figures have been selected the whole code can be transmitted by pressing the tone key.

The coding of the push button switch is simple, if the 3rd figure in the fixed code is chosen to be a repetition tone (tone 11).

In this situation all push buttons' functions are identical. If, instead of the third figure the fourth is a repetition tone, the switch row will have to be coded as shown in the example illustrated below.

This example shows third figure as tone 6. If the situation is that the fourth figure also will have to be tone 6, you will have to use tone 11, which indicates that two similar figures are coded.





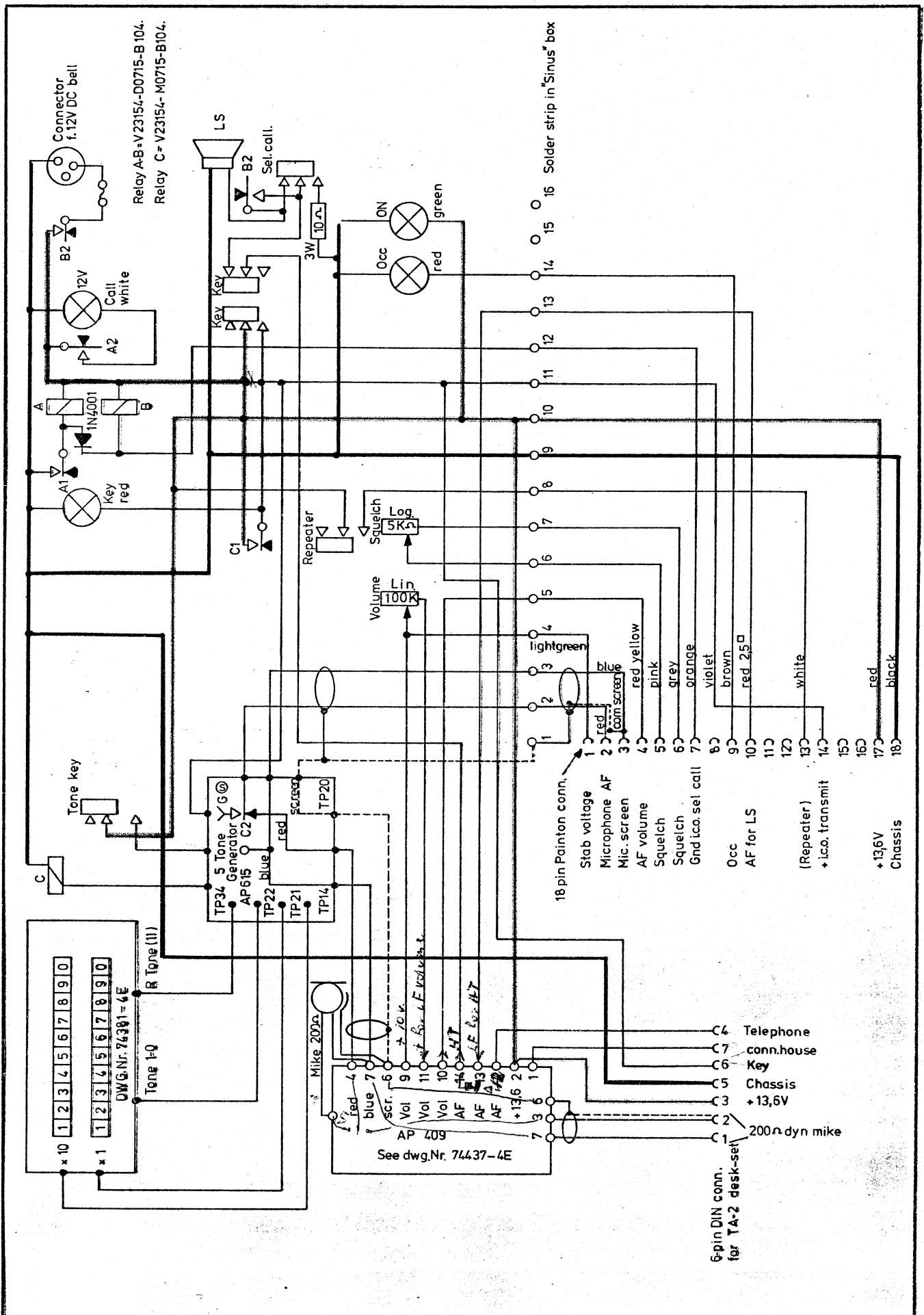
| | | | |
|---------------------|---|----------------------|----------------|
| Rettet: 8-3-77 H.J. | 5-Tone generator til sinusbox AP 615a/1 | Tegn.: 11-9-74 | Konr.: 12-9-74 |
| | | AC | T.P. |
| | AP-RADIOTELEFON | Stykl. nr.: 74383-4S | |
| | | Tegn. nr.: 74383-3E | |

AP-RADIOTELEFON

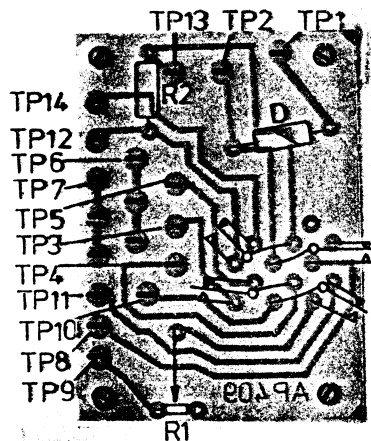
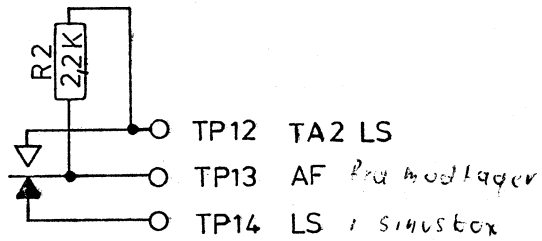
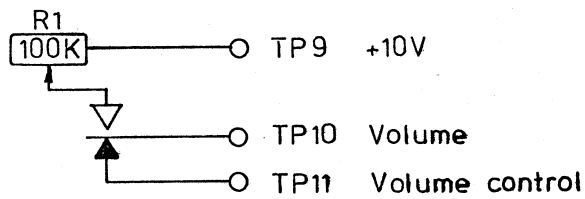
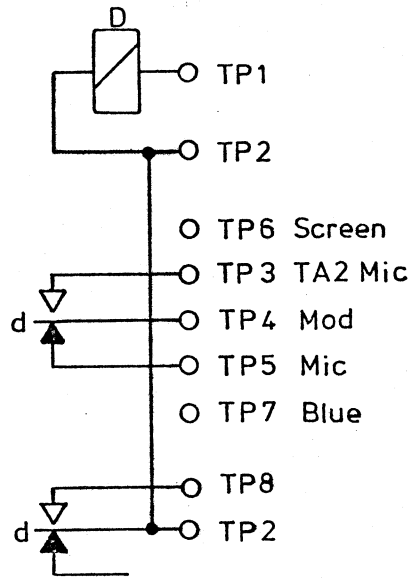
| Nr. | Kode | Data | Nr. | Kode | Data |
|-------------------------------|------|------------------|---------|------|--------------------|
| R 1 | | 10 kΩ ¼ w | C 6 | | 0,1 µF tant. |
| R 2 | | 15 kΩ ¼ w | C 7 | | 0,1 µF tant. |
| R 3 | | 1,8 kΩ ¼ w | C 8 | | 0,1 µF tant. |
| R 4 | | 680 kΩ ¼ w | C 9 | | 0,1 µF tant. |
| R 5 | | | C10 | | 0,1 µF tant. |
| R 6 | | 10 kΩ Pot. | C11 | | 0,1 µF tant. |
| R 7 | | 220 Ω ¼ w | C12 | | 22 µF/16V tant. |
| R 8 | | 22 Ω ½ w | C13 | | 100 µF/ 3V tant. |
| R 9 | | 1 kΩ ¼ w | C14 | | 100 µF/ 3V tant. |
| R10 | | 1 kΩ ¼ w | C15 | | 1 µF/35V tant. |
| R11 | | 22 kΩ ¼ w | C16 | | 4,7 nF ker. |
| R12 | | 1 kΩ ¼ w | C17 | | 4,7 nF ker. |
| R13 | | 22 kΩ ¼ w | Q 1 | | BC 238 |
| R14 | | 1 kΩ ¼ w | Q 2 | | |
| R15 | | 22 kΩ ¼ w | Q 3 | | BC 238 |
| R16 | | 1 kΩ ¼ w | Q 4 | | BC 257 |
| R17 | | 22 kΩ ¼ w | Q 5 | | BC 257 |
| R18 | | 1 kΩ ¼ w | Q 6 | | BC 257 |
| R19 | | 22 kΩ ¼ w | Q 7 | | BC 257 |
| R20 | | 1 kΩ ¼ w | Q 8 | | BC 257 |
| R21 | | 22 kΩ ¼ w | Q 9 | | BC 257 |
| R22 | | 1 kΩ ¼ w | | | |
| R23 | | 330 Ω ¼ w | | | |
| R24 | | 4,7 kΩ ¼ w | IC1 | | SN 7414 |
| R25 | | 1 kΩ ¼ w | IC2 | | SN 74145 |
| R26 | | 180 Ω ¼ w | IC3 | | SN 74197 |
| R27 | | 1 kΩ pot. | IC4 | | LM 309 H |
| R28 | | 330 Ω ¼ w | | | |
| R29 | | 330 Ω ¼ w | | | |
| R30 | | 1 kΩ ¼ w | D 1 | | 1N 4148 |
| | | | D 2 | | 1N 4148 |
| | | | D 3 | | 1N 4001 |
| C 1 | | 25,5 nF styr. | D 4 | | ZD 8,2 |
| C 2 | | 4,7 µF/10V tant. | D 5 | | AAZ 17 |
| C 3 | | 1 µF/35V tant. | D 6 | | AAZ 17 |
| C 4 | | 1 µF/35V tant. | D 7 | | AAZ 17 |
| C 5 | | 4,7 nF ker. | D 8 | | AAZ 17 |
| 5-tone generator til sinusbox | | | Rettet: | | Tegn.: Stykl. nr.: |
| Tilhører tegn. nr.: 74383-3E | | | | | Kontr.: 74383-4S |

AP-RADIOTELEFON

| Nr. | Kode | Data | Nr. | Kode | Data |
|-------------------------------|------|---------------------------------|---------|------|----------------------|
| A | | V 23154-M0720- B 104 Siemens | | | |
| B | | V 23154-M0720- B 104 Siemens | | | |
| C | | V 23154-M0720- B 104 Siemens | | | |
| T1 | | 1200Ω/600Ω trafo "Tradania" | | | |
| S 1 | | | | | |
| 5-tone generator til sinusbox | | | Rettet: | | Tegn.: |
| Tilhører tegn. nr.: 74383-3E | | | | | Kontr.: |
| | | | | | Stykl. nr.: 74383-4S |



| | | | |
|------------------------|---|------------------|--------------------|
| Retter: 26-5-78 W/ac | 5-Tone sinusbox with sel call, repeater duplex operation. CB 33 | Tegn.: 5-4-77 HJ | Kontr.: 13-4-77 EF |
| | | Stykt nr.: | |
| | | Tegn. nr.: | 74376-3E |
| AP-RADIOTELEFON | | | |

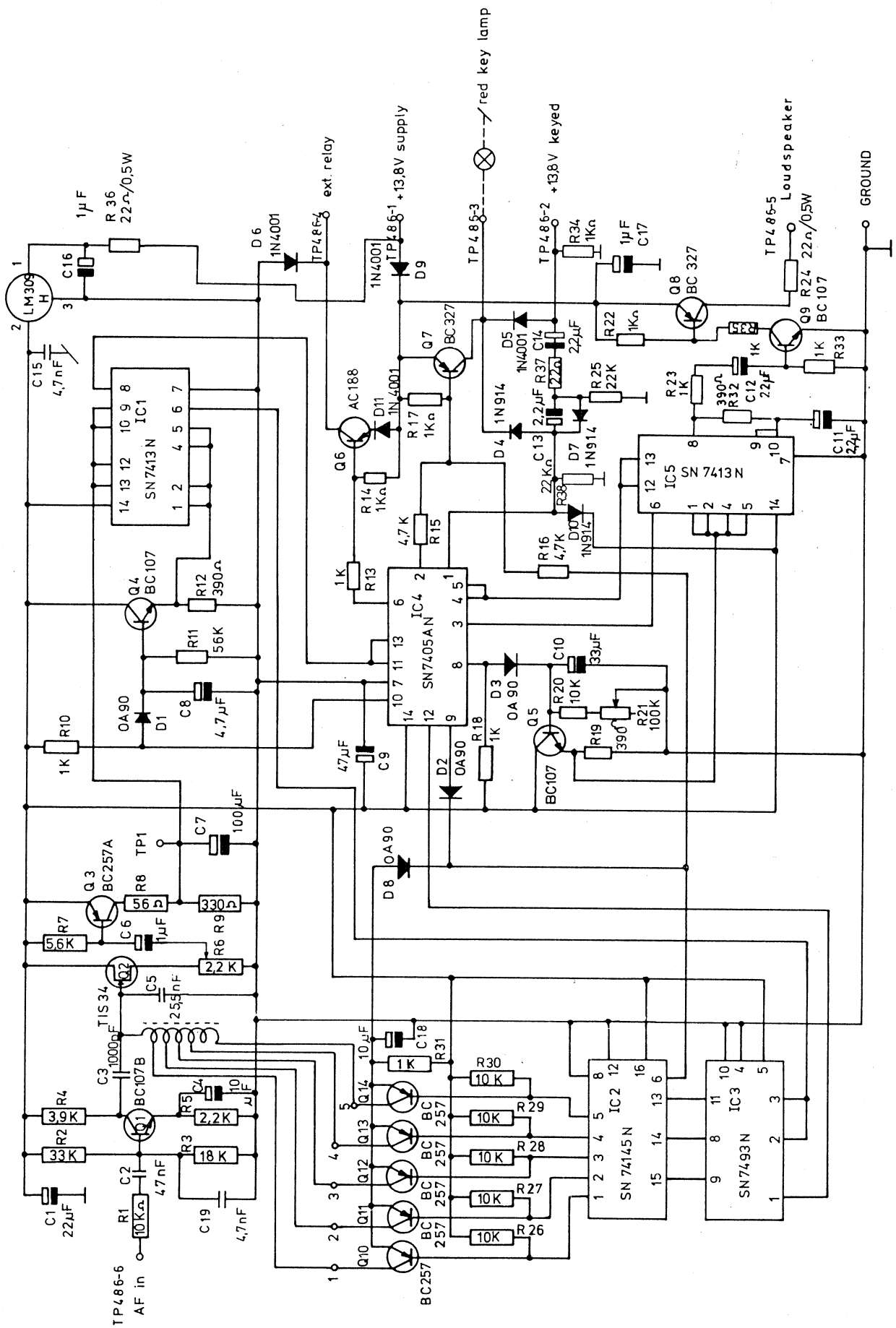


| |
|---------|
| Rettet: |
| |
| |
| |
| |
| |
| |

Switch panel for desk-set AP409/1

AP-RADIOTELEFON A/s

| | |
|------------------------|-------------------------|
| Tegn.: 3-10-74 H.J. | Kontr.: 3-10-74 E.F. |
| Stykl. nr.: | |
| Tegn. nr.: 74437-4E | |

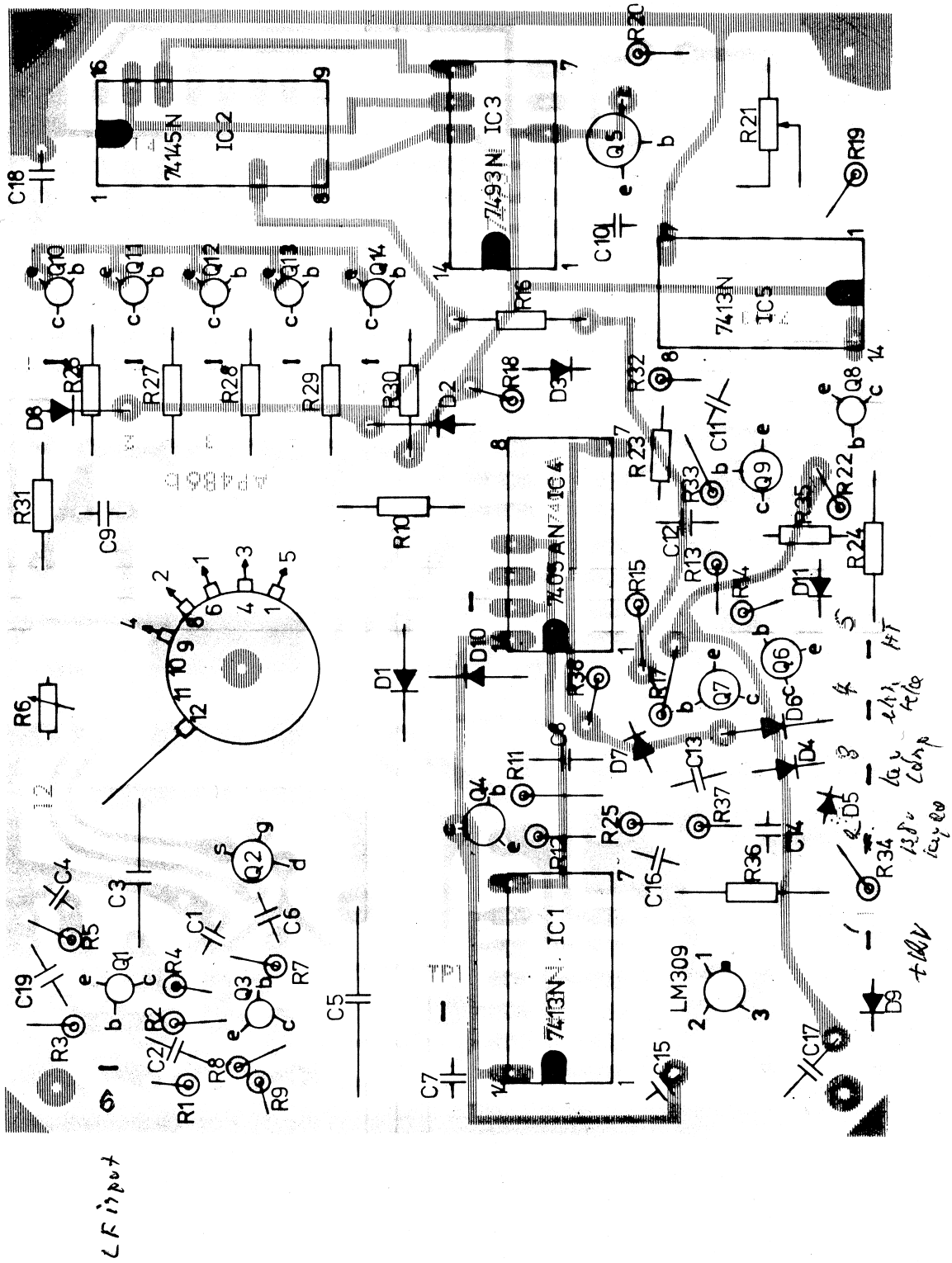


Længde af optaktskone justeres med R21

| |
|---------|
| Rettet: |
| |
| |
| |

PRINT AP 486b
5-TONET TONEMODTAGER
AP-RADIOTELEFON

| | |
|-----------------------------|-----------------------|
| Tegn.: 24-8-73 AC | Kontr.: 24-8-73 LT |
| Stykl. nr.: 73301-4S | |
| Tegn. nr.: 73301-3E | |



| | | | |
|---------|-------------------------------------|-------------------------------|-----------------|
| Rettet: | 5-Tonet tonemodtager print AP 486 b | Tegn.: 21-9-73 | Kontr.: 21-9-73 |
| | | A.C. | L.T. |
| | AP-RADIOTELEFON A/s | Stykl. nr.: 73301-4S | |
| | | Tegn. nr.: blad 2 73301-4E | |